



XA Interface Integration Guide for CICS, Encina,  
and TUXEDO

## **Adaptive Server<sup>®</sup> Enterprise**

15.0

DOCUMENT ID: DC36123-01-1500-02

LAST REVISED: August 2005

Copyright © 1987-2005 by Sybase, Inc. All rights reserved.

This publication pertains to Sybase software and to any subsequent release until otherwise indicated in new editions or technical notes. Information in this document is subject to change without notice. The software described herein is furnished under a license agreement, and it may be used or copied only in accordance with the terms of that agreement.

To order additional documents, U.S. and Canadian customers should call Customer Fulfillment at (800) 685-8225, fax (617) 229-9845.

Customers in other countries with a U.S. license agreement may contact Customer Fulfillment via the above fax number. All other international customers should contact their Sybase subsidiary or local distributor. Upgrades are provided only at regularly scheduled software release dates. No part of this publication may be reproduced, transmitted, or translated in any form or by any means, electronic, mechanical, manual, optical, or otherwise, without the prior written permission of Sybase, Inc.

Sybase, the Sybase logo, ADA Workbench, Adaptable Windowing Environment, Adaptive Component Architecture, Adaptive Server, Adaptive Server Anywhere, Adaptive Server Enterprise, Adaptive Server Enterprise Monitor, Adaptive Server Enterprise Replication, Adaptive Server Everywhere, Adaptive Warehouse, Afaia, Answers Anywhere, Anywhere Studio, Application Manager, AppModeler, APT Workbench, APT-Build, APT-Edit, APT-Execute, APT-Library, AvantGo Mobile Delivery, AvantGo Mobile Inspection, AvantGo Mobile Marketing Channel, AvantGo Mobile Pharma, AvantGo Mobile Sales, AvantGo Pylon, AvantGo Pylon Application Server, AvantGo Pylon Conduit, AvantGo Pylon PIM Server, AvantGo Pylon Pro, Backup Server, BizTracker, ClearConnect, Client-Library, Client Services, Convoy/DM, Copernicus, Data Pipeline, Data Workbench, DataArchitect, Database Analyzer, DataExpress, DataServer, DataWindow, DataWindow .NET, DB-Library, dbQueue, Developers Workbench, DirectConnect, DirectConnect Anywhere, Distribution Director, e-ADK, E-Anywhere, e-Biz Impact, e-Biz Integrator, E-Whatever, EC Gateway, ECMAP, ECRTP, eFulfillment Accelerator, Embedded SQL, EMS, Enterprise Application Studio, Enterprise Client/Server, Enterprise Connect, Enterprise Data Studio, Enterprise Manager, Enterprise SQL Server Manager, Enterprise Work Architecture, Enterprise Work Designer, Enterprise Work Modeler, eProcurement Accelerator, EWA, Financial Fusion, Financial Fusion Server, Gateway Manager, GlobalFIX, iAnywhere, iAnywhere Solutions, ImpactNow, Industry Warehouse Studio, InfoMaker, Information Anywhere, Information Everywhere, InformationConnect, InternetBuilder, iScript, Jaguar CTS, jConnect for JDBC, M2M Anywhere, Mach Desktop, Mail Anywhere Studio, Mainframe Connect, Maintenance Express, Manage Anywhere Studio, M-Business Channel, M-Business Network, M-Business Server, MDI Access Server, MDI Database Gateway, media.splash, MetaWorks, mFolio, Mirror Activator, MySupport, Net-Gateway, Net-Library, New Era of Networks, ObjectConnect, ObjectCycle, OmniConnect, OmniSQL Access Module, OmniSQL Toolkit, Open Biz, Open Client, Open Client/Connect, Open Client/Server, Open Client/Server Interfaces, Open Gateway, Open Server, Open ServerConnect, Open Solutions, Optima++, PB-Gen, PC APT Execute, PC DB-Net, PC Net Library, PocketBuilder, Pocket PowerBuilder, Power++, power.stop, PowerAMC, PowerBuilder, PowerBuilder Foundation Class Library, PowerDesigner, PowerDimensions, PowerDynamo, PowerScript, PowerSite, PowerSocket, Powersoft, PowerStage, PowerStudio, PowerTips, Powersoft Portfolio, Powersoft Professional, PowerWare Desktop, PowerWare Enterprise, ProcessAnalyst, QAnywhere, Rapport, RemoteWare, RepConnector, Replication Agent, Replication Driver, Replication Server, Replication Server Manager, Replication Toolkit, Report-Execute, Report Workbench, Resource Manager, RFID Anywhere, RW-DisplayLib, RW-Library, S-Designer, SDF, Secure SQL Server, Secure SQL Toolset, Security Guardian, SKILS, smart.partners, smart.parts, smart.script, SQL Advantage, SQL Anywhere, SQL Anywhere Studio, SQL Code Checker, SQL Debug, SQL Edit, SQL Edit/TPU, SQL Everywhere, SQL Modeler, SQL Remote, SQL Server, SQL Server Manager, SQL SMART, SQL Toolset, SQL Server/CFT, SQL Server/DBM, SQL Server SNMP SubAgent, SQL Station, SQLJ, STEP, SupportNow, S.W.I.F.T. Message Format Libraries, Sybase Central, Sybase Client/Server Interfaces, Sybase Financial Server, Sybase Gateways, Sybase IQ, Sybase MPP, Sybase SQL Desktop, Sybase SQL Lifecycle, Sybase SQL Workgroup, Sybase User Workbench, SybaseWare, Syber Financial, SyberAssist, SybFlex, SyBooks, System 10, System 11, System XI (logo), SystemTools, Tabular Data Stream, TradeForce, Transact-SQL, Translation Toolkit, UltraLite, UltraLite.NET, UNIBOM, Unilib, Uninull, Unisep, Unistring, URK Runtime Kit for UniCode, VisualWriter, VQL, WarehouseArchitect, Warehouse Control Center, Warehouse Studio, Warehouse WORKS, Watcom, Watcom SQL, Watcom SQL Server, Web Deployment Kit, Web.PB, Web.SQL, WebSights, WebViewer, WorkGroup SQL Server, XA-Library, XA-Server, XcelleNet, and XP Server are trademarks of Sybase, Inc. 02/05

Unicode and the Unicode Logo are registered trademarks of Unicode, Inc.

All other company and product names used herein may be trademarks or registered trademarks of their respective companies.

Use, duplication, or disclosure by the government is subject to the restrictions set forth in subparagraph (c)(1)(ii) of DFARS 52.227-7013 for the DOD and as set forth in FAR 52.227-19(a)-(d) for civilian agencies.

Sybase, Inc., One Sybase Drive, Dublin, CA 94568.

# Contents

<b>About This Book .....</b>	<b>v</b>
<b>CHAPTER 1</b>	<b>Introduction..... 1</b>
	Overview..... 1
	Requirements ..... 2
<b>CHAPTER 2</b>	<b>The Sybase XA Environment..... 5</b>
	Definitions..... 5
	Overview of the X/Open DTP model ..... 6
	Components of the model..... 7
	How the components communicate ..... 8
	How the components interact ..... 8
	Recovery..... 10
	The Sybase XA environment ..... 11
	Components of the Sybase XA environment ..... 12
	Connections in the Sybase XA environment ..... 13
	Identifying connections via LRMs ..... 13
	Establishing connections ..... 15
	Distributing work across LRMs ..... 16
<b>CHAPTER 3</b>	<b>Configuring the XA Environment..... 19</b>
	Configuring Adaptive Server..... 19
	Open string parameters for DTM XA Interface..... 20
	Open string parameters..... 20
	dtm_tm_role required for username ..... 21
	Log file and trace flag parameters ..... 21
	xa_open() function behavior ..... 22
	XA configuration file for DTM XA Interface ..... 22
	Environment variable for specifying configuration file ..... 22
	[all] section for defining common LRM parameters..... 23
	Editing the XA configuration file..... 24
	Additional capabilities, properties, and options ..... 26
	Using the DTM XA Interface with CICS ..... 28

- Building the switch-load file..... 28
- Adding a Sybase stanza to the CICS region XAD definition ..... 31
- Using the DTM XA Interface with Encina..... 33
  - Assigning an open string with monadmin create rm..... 33
  - Initializing LRMs with mon\_RegisterRmi..... 33
  - Linking applications with DTM XA Interface libraries..... 34
  - Establishing connections..... 34
- Using the DTM XA Interface with TUXEDO ..... 35
  - Linking ..... 36
  - Setting up the UBBCONFIG file ..... 37
  - Creating the TUXEDO configuration file..... 39
  - Building the TMS..... 39
- Build COBOL runtime environment ..... 40

- CHAPTER 4**
- Application Programming Guidelines..... 41**
  - X/Open DTP versus traditional Sybase transaction processing ..... 41
  - Transaction and connection management..... 42
    - Transaction management ..... 42
    - Connection management..... 43
    - The current connection..... 44
    - Nontransactional connections ..... 45
  - Deallocate cursor function with Client-Library..... 45
  - Dynamic SQL ..... 46
  - Getting a Client-Library connection handle ..... 46
  - Multiple-thread environment issues ..... 49
    - Caveats of thread use ..... 50
    - Embedded SQL thread-safe code..... 51
    - Tightly coupled transactions ..... 51
  - Linking with CT Library ..... 53
  - Sample embedded SQL COBOL fragment ..... 53
  - Sample embedded SQL C fragment ..... 55
- Index ..... 59**

# About This Book

## Audience

This guide serves as a reference manual for:

- System administrators setting up a distributed transaction processing (DTP) environment that includes one or more Adaptive Servers with distributed transaction management features, accessed by transactions from within a CICS, Encina, or TUXEDO transaction manager (TM) system.
- Application programmers using Embedded SQL™ or Client-Library™ to access data on one or more Adaptive Servers.

This manual assumes the reader is familiar with:

- The TM operating environment
- Embedded SQL
- Open Client™ Client-Library
- Adaptive Server® administration

## How to use this book

Use this guide to help configure your environment and code your application to access data stored on one or more Adaptive Servers from within a CICS, Encina, or TUXEDO TM.

Chapter 1, “Introduction” summarizes the steps necessary to fully integrate the DTM XA Interface into your environment.

Chapter 2, “The Sybase XA Environment” provides background information designed to help you place the Sybase XA environment into the larger context of distributed transaction processing and transaction management. It reviews the X/Open DTP model of distributed transaction processing and fits the Sybase DTM XA Interface into this model. In addition, it describes how the individual components of the Sybase® XA environment work together to allow your application to access Adaptive Server data from a TM.

Chapter 3, “Configuring the XA Environment” gives instructions for configuring your environment to fully integrate your application, Sybase DTM XA Interface, one or more Adaptive Servers, and your TM software.

---

Chapter 4, “Application Programming Guidelines” explains how to make your Embedded SQL or Client-Library application conform to certain coding constraints that the Sybase XA environment imposes.

#### Related documents

The Sybase<sup>®</sup> Adaptive Server<sup>®</sup> Enterprise documentation set consists of the following:

- The release bulletin for your platform – contains last-minute information that was too late to be included in the books.

A more recent version of the release bulletin may be available on the World Wide Web. To check for critical product or document information that was added after the release of the product CD, use the Sybase Technical Library.

- The *Installation Guide* for your platform – describes installation, upgrade, and configuration procedures for all Adaptive Server and related Sybase products.
- *What’s New in Adaptive Server Enterprise?* – describes the new features in Adaptive Server version 15.0, the system changes added to support those features, and changes that may affect your existing applications.
- *ASE Replicator User’s Guide* – describes how to use the Adaptive Server Replicator feature of Adaptive Server to implement basic replication from a primary server to one or more remote Adaptive Servers.
- *Component Integration Services User’s Guide* – explains how to use the Adaptive Server Component Integration Services feature to connect remote Sybase and non-Sybase databases.
- The *Configuration Guide* for your platform – provides instructions for performing specific configuration tasks for Adaptive Server.
- *Full-Text Search Specialty Data Store User’s Guide* – describes how to use the Full-Text Search feature with Verity to search Adaptive Server Enterprise data.
- *Glossary* – defines technical terms used in the Adaptive Server documentation.
- *Historical Server User’s Guide* – describes how to use Historical Server to obtain performance information for SQL Server<sup>®</sup> and Adaptive Server.
- *Java in Adaptive Server Enterprise* – describes how to install and use Java classes as data types, functions, and stored procedures in the Adaptive Server database.

- *Job Scheduler User's Guide* – provides instructions on how to install and configure, and create and schedule jobs on a local or remote Adaptive Server using the command line or a graphical user interface (GUI).
- *Messaging Service User's Guide* – describes how to use Real Time Messaging Services to integrate TIBCO Java Message Service and IBM WebSphere MQ messaging services with all Adaptive Server database applications.
- *Monitor Client Library Programmer's Guide* – describes how to write Monitor Client Library applications that access Adaptive Server performance data.
- *Monitor Server User's Guide* – describes how to use Monitor Server to obtain performance statistics from SQL Server and Adaptive Server.
- *Performance and Tuning Guide* – is a series of four books that explains how to tune Adaptive Server for maximum performance:
  - *Basics* – the basics for understanding and investigating performance questions in Adaptive Server.
  - *Locking* – describes how the various locking schemas can be used for improving performance in Adaptive Server.
  - *Optimizer and Abstract Plans* – describes how the optimizer processes queries and how abstract plans can be used to change some of the optimizer plans.
  - *Monitoring and Analyzing* – explains how statistics are obtained and used for monitoring and optimizing performance.
- *Quick Reference Guide* – provides a comprehensive listing of the names and syntax for commands, functions, system procedures, extended system procedures, datatypes, and utilities in a pocket-sized book.
- *Reference Manual* – is a series of four books that contains the following detailed Transact-SQL<sup>®</sup> information:
  - *Building Blocks* – Transact-SQL datatypes, functions, global variables, expressions, identifiers and wildcards, and reserved words.
  - *Commands* – Transact-SQL commands.
  - *Procedures* – Transact-SQL system procedures, catalog stored procedures, system extended stored procedures, and dbcc stored procedures.
  - *Tables* – Transact-SQL system tables and dbcc tables.

- 
- *System Administration Guide* – provides in-depth information about administering servers and databases. This manual includes instructions and guidelines for managing physical resources, security, user and system databases, and specifying character conversion, international language, and sort order settings.
  - *System Tables Diagram* – illustrates system tables and their entity relationships in a poster format. Available only in print version.
  - *Transact-SQL User's Guide* – documents Transact-SQL, Sybase's enhanced version of the relational database language. This manual serves as a textbook for beginning users of the database management system. This manual also contains descriptions of the pubs2 and pubs3 sample databases.
  - *Using Adaptive Server Distributed Transaction Management Features* – explains how to configure, use, and troubleshoot Adaptive Server DTM features in distributed transaction processing environments.
  - *Using Sybase Failover in a High Availability System* – provides instructions for using Sybase's Failover to configure an Adaptive Server as a companion server in a high availability system.
  - *Unified Agent and Agent Management Console User's Guide* – Describes the Unified Agent, which provides runtime services to manage, monitor and control distributed Sybase resources.
  - *Utility Guide* – documents the Adaptive Server utility programs, such as isql and bcp, which are executed at the operating system level.
  - *Web Services User's Guide* – explains how to configure, use, and troubleshoot Web Services for Adaptive Server.
  - *XA Interface Integration Guide for CICS, Encina, and TUXEDO* – provides instructions for using the Sybase DTM XA interface with X/Open XA transaction managers.
  - *XML Services in Adaptive Server Enterprise* – describes the Sybase native XML processor and the Sybase Java-based XML support, introduces XML in the database, and documents the query and mapping functions that comprise XML Services.

**Other sources of information**

Use the Sybase Getting Started CD, the SyBooks CD, and the Sybase Product Manuals Web site to learn more about your product:



- The Getting Started CD contains release bulletins and installation guides in PDF format, and may also contain other documents or updated information not included on the SyBooks CD. It is included with your software. To read or print documents on the Getting Started CD, you need Adobe Acrobat Reader, which you can download at no charge from the Adobe Web site using a link provided on the CD.
- The SyBooks CD contains product manuals and is included with your software. The Eclipse-based SyBooks browser allows you to access the manuals in an easy-to-use, HTML-based format.

Some documentation may be provided in PDF format, which you can access through the PDF directory on the SyBooks CD. To read or print the PDF files, you need Adobe Acrobat Reader.

Refer to the *SyBooks Installation Guide* on the Getting Started CD, or the *README.txt* file on the SyBooks CD for instructions on installing and starting SyBooks.

- The Sybase Product Manuals Web site is an online version of the SyBooks CD that you can access using a standard Web browser. In addition to product manuals, you will find links to EBFs/Maintenance, Technical Documents, Case Management, Solved Cases, newsgroups, and the Sybase Developer Network.

To access the Sybase Product Manuals Web site, go to Product Manuals at <http://www.sybase.com/support/manuals/>.

### **Sybase certifications on the Web**

Technical documentation at the Sybase Web site is updated frequently.

#### **v Finding the latest information on product certifications**

- 1 Point your Web browser to Technical Documents at <http://www.sybase.com/support/techdocs/>.
- 2 Select Products from the navigation bar on the left.
- 3 Select a product name from the product list and click Go.
- 4 Select the Certification Report filter, specify a time frame, and click Go.
- 5 Click a Certification Report title to display the report.

#### **v Finding the latest information on component certifications**

- 1 Point your Web browser to Availability and Certification Reports at <http://certification.sybase.com/>.

- 
- 2 Either select the product family and product under Search by Product; or select the platform and product under Search by Platform.
  - 3 Select Search to display the availability and certification report for the selection.

v **Creating a personalized view of the Sybase Web site (including support pages)**

Set up a MySybase profile. MySybase is a free service that allows you to create a personalized view of Sybase Web pages.

- 1 Point your Web browser to Technical Documents at <http://www.sybase.com/support/techdocs/>.
- 2 Click MySybase and create a MySybase profile.

**Sybase EBFs and software maintenance**

v **Finding the latest information on EBFs and software maintenance**

- 1 Point your Web browser to the Sybase Support Page at <http://www.sybase.com/support>.
- 2 Select EBFs/Maintenance. If prompted, enter your MySybase user name and password.
- 3 Select a product.
- 4 Specify a time frame and click Go. A list of EBFs/Maintenance releases is displayed.

Padlock icons indicate that you do not have download authorization for certain EBFs/Maintenance releases because you are not registered as a Technical Support Contact. If you have not registered, but have valid information provided by your Sybase representative or through your support contract, click Edit Roles to add the “Technical Support Contact” role to your MySybase profile.

- 5 Click the Info icon to display the EBFs/Maintenance report, or click the product description to download the software.

**Conventions**

The following sections describe conventions used in this manual.

SQL is a free-form language. There are no rules about the number of words you can put on a line or where you must break a line. However, for readability, all examples and most syntax statements in this manual are formatted so that each clause of a statement begins on a new line. Clauses that have more than one part extend to additional lines, which are indented. Complex commands are formatted using modified Backus Naur Form (BNF) notation.

Table 1 shows the conventions for syntax statements that appear in this manual:

**Table 1: Font and syntax conventions for this manual**

Element	Example
Command names, procedure names, utility names, and other keywords display in sans serif font.	<code>select</code> <code>sp_configure</code>
Database names and datatypes are in sans serif font.	<code>master database</code>
Book names, file names, variables, and path names are in italics.	<i>System Administration Guide</i> <i>sql.ini</i> file <i>column_name</i> \$SYBASE/ASE directory
Variables—or words that stand for values that you fill in—when they are part of a query or statement, are in italics in Courier font.	<code>select column_name</code> <code>from table_name</code> <code>where search_conditions</code>
Type parentheses as part of the command.	<code>compute row_aggregate (column_name)</code>
Double colon, equals sign indicates that the syntax is written in BNF notation. Do not type this symbol. Indicates “is defined as”.	<code>::=</code>
Curly braces mean that you must choose at least one of the enclosed options. Do not type the braces.	<code>{cash, check, credit}</code>
Brackets mean that to choose one or more of the enclosed options is optional. Do not type the brackets.	<code>[cash   check   credit]</code>
The comma means you may choose as many of the options shown as you want. Separate your choices with commas as part of the command.	<code>cash, check, credit</code>
The pipe or vertical bar ( ) means you may select only one of the options shown.	<code>cash   check   credit</code>
An ellipsis (...) means that you can <i>repeat</i> the last unit as many times as you like.	<code>buy thing = price [cash   check   credit]</code> <code>[, thing = price [cash   check   credit]]...</code> You must buy at least one thing and give its price. You may choose a method of payment: one of the items enclosed in square brackets. You may also choose to buy additional things: as many of them as you like. For each thing you buy, give its name, its price, and (optionally) a method of payment.

- 
- Syntax statements (displaying the syntax and all options for a command) appear as follows:

```
sp_dropdevice [device_name]
```

For a command with more options:

```
select column_name  
from table_name  
where search_conditions
```

In syntax statements, keywords (commands) are in normal font and identifiers are in lowercase. Italic font shows user-supplied words.

- Examples showing the use of Transact-SQL commands are printed like this:

```
select * from publishers
```

- Examples of output from the computer appear as follows:

pub_id	pub_name	city	state
0736	New Age Books	Boston	MA
0877	Binnet & Hardley	Washington	DC
1389	Algodata Infosystems	Berkeley	CA

(3 rows affected)

In this manual, most of the examples are in lowercase. However, you can disregard case when typing Transact-SQL keywords. For example, SELECT, Select, and select are the same.

Adaptive Server's sensitivity to the case of database objects, such as table names, depends on the sort order installed on Adaptive Server. You can change case sensitivity for single-byte character sets by reconfiguring the Adaptive Server sort order. For more information, see the *System Administration Guide*.

## Accessibility features

This document is available in an HTML version that is specialized for accessibility. You can navigate the HTML with an adaptive technology such as a screen reader, or view it with a screen enlarger.

Adaptive Server HTML documentation has been tested for compliance with U.S. government Section 508 Accessibility requirements. Documents that comply with Section 508 generally also meet non-U.S. accessibility guidelines, such as the World Wide Web Consortium (W3C) guidelines for Web sites.

---

**Note** You might need to configure your accessibility tool for optimal use. Some screen readers pronounce text based on its case; for example, they pronounce ALL UPPERCASE TEXT as initials, and MixedCase Text as words. You might find it helpful to configure your tool to announce syntax conventions. Consult the documentation for your tool.

---

For information about how Sybase supports accessibility, see Sybase Accessibility at <http://www.sybase.com/accessibility>. The Sybase Accessibility site includes links to information on Section 508 and W3C standards.

**If you need help**

Each Sybase installation that has purchased a support contract has one or more designated people who are authorized to contact Sybase Technical Support. If you cannot resolve a problem using the manuals or online help, please have the designated person contact Sybase Technical Support or the Sybase subsidiary in your area.



# Introduction

Topic	Page
Overview	1
Requirements	2

## Overview

The DTM XA Interface is Sybase's implementation of the XA Interface standard, which is one element of the X/Open Distributed Transaction Processing (DTP) model. The X/Open DTP model provides an industry standard for developing distributed transaction processing applications.

Use the XA Interface to access data stored on Adaptive Servers from within a CICS, Encina, or TUXEDO TM. To use native Adaptive Server distributed transaction management (DTM) features with or without a TM, see *Using Adaptive Server Distributed Transaction Management Features*.

The Microsoft Transaction Server (MTS) also uses the XA Interface for transactional components. MTS XA configuration is handled through the Sybase ODBC driver setup. See the ODBC driver documentation for details.

Other TMs, such as IBM MQ Services, also use the XA Interface. See the transaction manager documentation for details on how to configure the TM.

v **Enabling a TM transaction to access data stored on Adaptive Server**

- 1 Install Adaptive Server, and the distributed transaction management feature. Software installation and feature licenses are described in the Adaptive Server *Installation Guide* for your platform.

---

**Note** Distributed transaction management is a separately-licensed Adaptive Server feature. You must purchase and install a valid license for DTM before it can be used.

---

- 2 Install Sybase Open Client on all client machines. The DTM XA Interface is included with Open Client.
- 3 Start Adaptive Server with support for the distributed transaction management feature. See *Using Adaptive Server Distributed Transaction Management Features* for information.
- 4 Configure the TM software to run with an Embedded SQL or Client-Library application and Adaptive Server, as described in Chapter 3, “Configuring the XA Environment.”
- 5 Make the Embedded SQL or Client-Library application conform to certain coding constraints, as described in Chapter 4, “Application Programming Guidelines.”
- 6 Start the CICS, Encina, or TUXEDO TM.

---

**Note** To administer global recovery manually in the Sybase XA environment, you must invoke XA-specific dbcc commands, as described in *Using Adaptive Server Distributed Transaction Management Features*.

---

## Requirements

XA Interface for Adaptive Server version 12.5 is compatible with:

- Open Client 12.5
- Embedded SQL 12.0 or later
- Adaptive Server 12.0 or later
- CICS/6000 2.1.1.6



- Encina 2.5/TX Series 4.2
- TUXEDO 6.4 (6.3/6.4 on IBM platforms)



# The Sybase XA Environment

This chapter describes the X/Open DTP model, and shows how the components of the Sybase XA environment—including the DTM XA Interface, your application program, and Adaptive Server, among others—fit into that model. It also discusses how connections are established and managed in the Sybase XA environment.

Topic	Page
Definitions	5
Overview of the X/Open DTP model	6
The Sybase XA environment	11
Connections in the Sybase XA environment	13

## Definitions

The X/Open DTP model assumes an understanding of certain terms.

- **transaction** – a whole unit of work consisting of one or more computational tasks. Most often, a transaction’s tasks manipulate shared resources.
- **committed transaction** – a completed transaction whose changes to any shared resources are permanent.
- **rolled-back transaction** – a complete transaction whose changes to any shared resources are nullified.
- **ACID test** – the test of a true transaction; to pass, the transaction must exhibit the following properties:
  - **Atomicity** – all or none of the results of the transaction take effect.
  - **Consistency** – if a transaction is rolled back, all resources that the transaction affected return to the state they were in prior to the transaction’s execution.

- **Isolation** – a transaction’s results are visible only to that transaction until the transaction commits.
- **Durability** – permanent resource changes resulting from commitment survive subsequent system failures.
- **transaction processing** – a system of coordinating the transactions that multiple users perform on shared, centralized resources.
- **distributed transaction processing** – a transaction processing model in which the shared resources are located at distinct physical sites on a computer network.
- **local transaction** – a transaction that affects data in a single database and whose tasks a single resource manager performs. See “Overview of the X/Open DTP model” on page 6 for a definition of resource managers.
- **global transaction** – a transaction that spans more than one database and multiple resource managers.
- **transaction branch** – a portion of the work that makes up a global transaction.
- **transaction identifier** – an identifier that a TM assigns to a transaction. The transaction monitor uses the transaction identifier to coordinate all activity related to a global transaction. The resource manager uses the global identifier to match the recoverable tasks it performed for the transaction.
- **recovery** – the process of bringing a transaction processing system into a consistent state after a failure. Specifically, this means resolving transactions left in a noncommitted state.

## Overview of the X/Open DTP model

The X/Open DTP model is a model for software architecture that allows multiple application programs to share resources provided by multiple resource managers, and allows their work to be coordinated into global transactions.

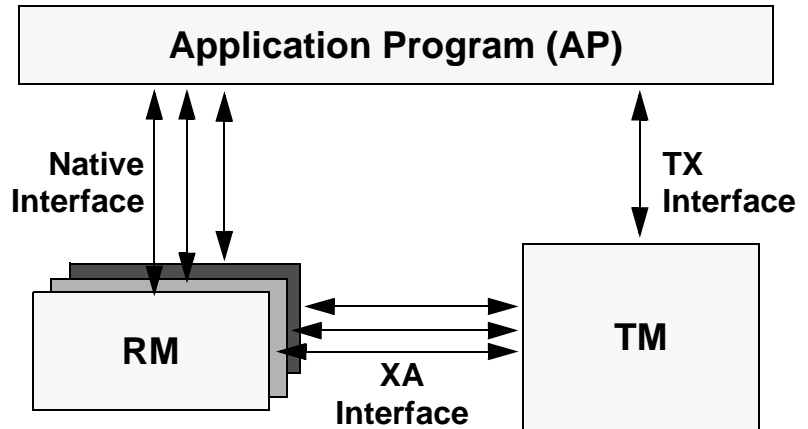
The X/Open DTP model identifies the key entities in a distributed transaction processing environment and standardizes their roles and interactions. The entities are:

- The transaction processing monitor (TM)

- The resource manager (RM)
- The application program (AP)

This section discusses the X/Open DTP functional model, including its major components and their interfaces. Figure 2-1 shows the X/Open DTP model.

**Figure 2-1: A conceptual view of the X/Open DTP model**



These components communicate through the native, XA, and TX Interfaces as described in “How the components communicate” on page 8.

## Components of the model

The X/Open DTP functional model consists of the following components:

- The application program (AP)
- The resource manager (RM)
- The transaction processing monitor (TM)

The AP contains the code written to accomplish a particular transaction or portion thereof. As such, it designates the beginning and end of global transactions.

The RM provides access to shared resources. Database servers, file servers, and print servers are examples of RMs. In a typical X/Open DTP environment, a single AP communicates with more than one RM. In the Sybase XA environment, the RM is an Adaptive Server database.

The TM coordinates the communication between all parties participating in the transaction. The TM assures that the work done by the AP is contained in a global transaction, which commits or aborts atomically.

Specifically, the TM's tasks include:

- Assigning global identifiers to transactions.
- Monitoring the progress of global transactions.
- Coordinating the flow of transaction information between the APs and the RMs.
- Managing the transaction commitment protocol and failure recovery. For details, see "How the components interact" on page 8.

## How the components communicate

The AP, the RM, and the TM communicate via three distinct interfaces: native, TX, and XA.

The native interface is the medium by which the AP makes requests directly to the RM. This interface is RM specific. In the Sybase XA environment, the native interface is either Embedded SQL or Client-Library.

The TX Interface is the medium between the AP and the TM. The AP uses TX calls to delineate transaction boundaries. In other words, the AP requests that the TM start and commit or roll back global transactions, via the TX Interface. This interface is TM specific.

The XA Interface is the medium between the RM and the TM. The DTM XA Interface is Sybase's version of the interface for Adaptive Server. Using XA calls, the TM tells the RM when transactions start, commit, and roll back. The TM also handles recovery.

## How the components interact

The components work together to process transactions from initiation through completion.

The AP delimits transaction boundaries. An AP informs the TM, via TX calls, that a global transaction is beginning. The TM then communicates with all available RMs, via XA calls, to associate a single transaction identifier with any work the RMs will do on behalf of the AP within the bounds of the global transaction.

When the AP requests that the TM commit the global transaction, the TM and the RMs use the two-phase commit protocol to guarantee transaction atomicity.

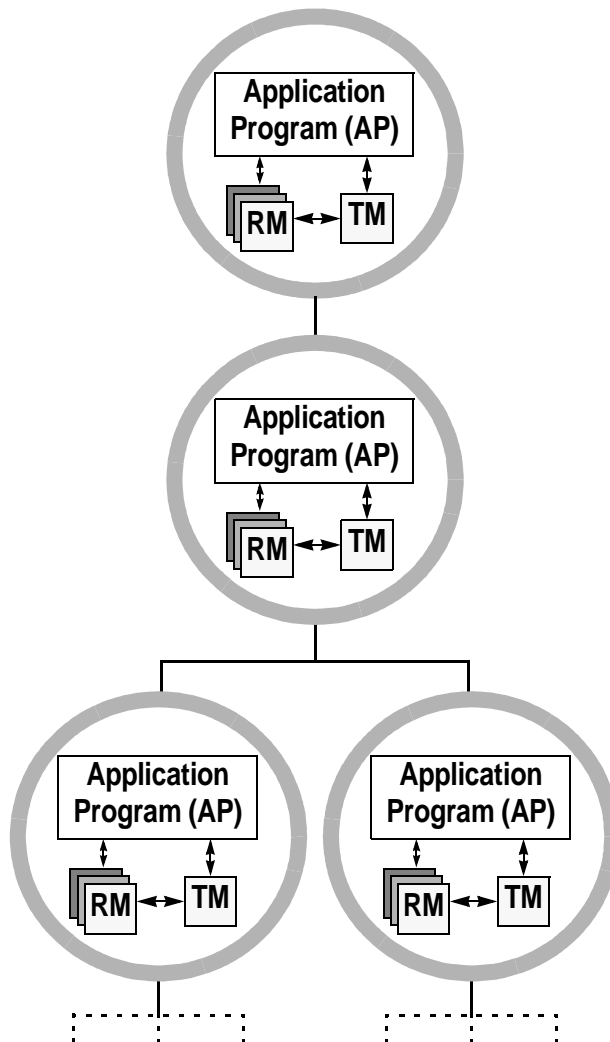
Transaction completion takes place in two phases—the prepare phase and the commit phase. For a detailed description of the two-phase commit protocol, see the *Open Client DB-Library/C Reference Manual*.

In the prepare phase, the TM requests each RM to prepare to commit its portion of the global transaction. This portion is known as a **transaction branch**.

In the commit phase, the TM instructs the RMs to commit or abort their branches of the transaction. If all RMs report back that they have prepared their respective transaction branches, the TM commits the entire transaction. If any RM reports that it was unprepared or fails to respond, the TM rolls back the entire transaction.

Figure 2-2 shows a typical transaction branch structure.

Figure 2-2: Transaction branches



## Recovery

The TM is responsible for managing global recovery. In certain situations, an administrator may decide to complete its transaction branch independently of the TM. When this occurs, the administrator's decision is called a **heuristic decision**.



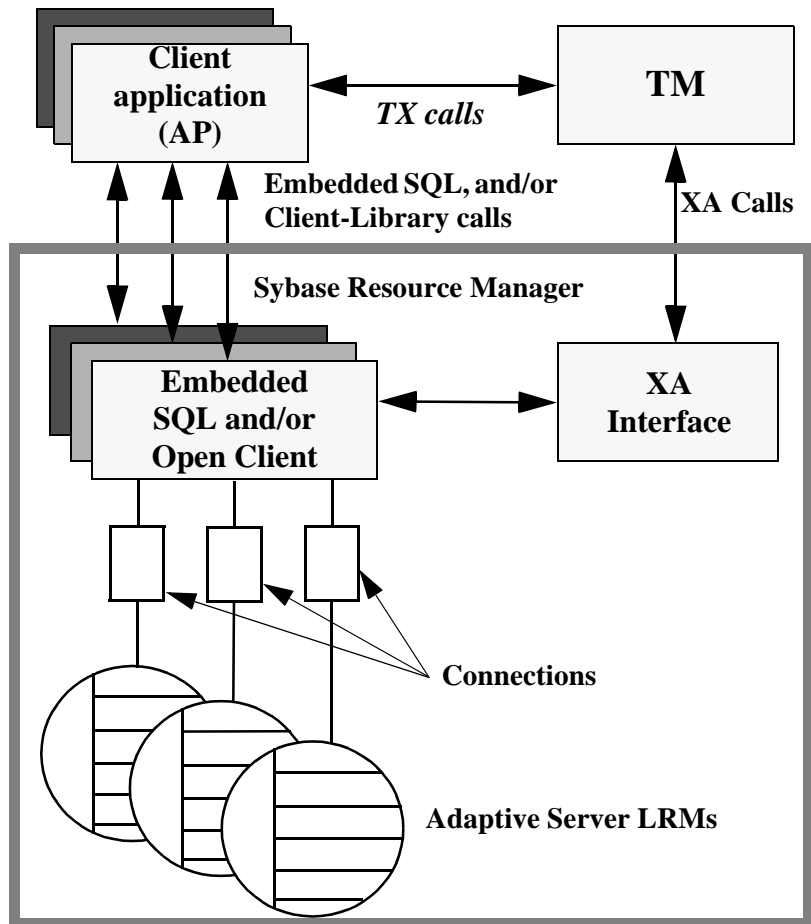
The heuristic decision may be in conflict with the TM's decision. For example, the administrator may commit a transaction branch and the TM may request to abort it.

Such a conflict requires manual intervention from the System Administrator. For a discussion of heuristic decisions in the Sybase XA environment, see *Using Adaptive Server Distributed Transaction Management Features*.

## **The Sybase XA environment**

The DTM XA Interface relies on Sybase's transaction processing model to implement X/Open's DTP model. Adaptive Server is used as an RM, as shown in Figure 2-3.

Figure 2-3: The Sybase XA DTP model



## Components of the Sybase XA environment

The Sybase XA environment consists of:

- The Sybase DTM XA Interface. This is Sybase's implementation of the XA Interface for Adaptive Server, described in "How the components communicate" on page 8.

- The Open Client libraries. Client-Library calls can be part of the native interface between your application and the resource manager.

---

**Note** XA Client libraries run in 32-bit mode on Solaris 64, AIX 64, HP-UX 64 and Windows platforms and in 64-bit mode on Solaris 64, AIX 64, HP-UX 64 platforms.

---

- Embedded SQL/C and Embedded SQL/COBOL. Embedded SQL calls can be part of the native interface between your application and the resource manager.
- One or more Adaptive Servers. These play the role of RMs.
- The XA configuration file. This file contains entries that define client/server connections for use with XA.
- A set of XA-specific dbcc commands. System Administrators use these to manage heuristic transactions.
- TM-specific configuration files and commands.

Chapter 3, “Configuring the XA Environment” explains how to configure these components so that transactions can use the DTM XA Interface to access data stored on Adaptive Server.

## Connections in the Sybase XA environment

The X/Open DTP model has no notion of connections, yet connections are central to the Sybase client/server architecture. The Sybase XA environment must resolve this discrepancy.

To this end, the Sybase XA environment introduces the notion of a logical resource manager (LRM).

### Identifying connections via LRMs

Each instance of the Sybase RM appears to the TM as one or more LRMs.

An LRM associates a symbolic name with a client/server connection. An AP uses the names to identify the specific physical connection to one or more Adaptive Servers. The TM uses the names to open connections on behalf of the AP.

## Where is the connection information stored?

The following components of the Sybase XA environment contain information about LRMs. The System Administrator configures these files before starting up the TM. For information on the full configuration process, see Chapter 3, “Configuring the XA Environment.”

The Sybase XA configuration file

The Sybase XA configuration file contains one entry per LRM. The entry associates the LRM with a physical Adaptive Server name, and assigns pre-connection Client-Library capabilities and properties to the LRM. For details on the XA configuration file, see “XA configuration file for DTM XA Interface” on page 22.

The CICS XA product definition (XAD)

The CICS XAD contains one stanza per LRM. The stanza assigns each LRM a user name and password in the form of an open string. The user name and password enable the Sybase XA environment to control a particular connection’s access to Adaptive Server resources. For details on the CICS XAD file, see “Adding a Sybase stanza to the CICS region XAD definition” on page 31.

The Encina *monadmin create rm* command

The *monadmin create rm* command assigns each LRM a user name and password in the form of an **open string**. The user name and password allow the Sybase XA environment to control a particular connection’s access to Adaptive Server resources. For details on the Encina *monadmin* command, see “Assigning an open string with *monadmin create rm*” on page 33. Your current version of Encina may have additional commands for specifying RMs.

---

**Note** You can use the Encina *enconsole* interactive command instead of the shell *monadmin* command.

---

For detailed information, see the *Encina Monitor System Administrator’s Guide and Reference*.

TUXEDO's  
*UBBCONFIG* file

In addition to modifying the Sybase configuration files, integrating TUXEDO requires customizing the TUXEDO configuration file, *UBBCONFIG*. The open string is the only portion of the *UBBCONFIG* file that requires modification. It includes the user name and password, which allow XA-Server to control a connection's access to Adaptive Server resources. See "Setting up the *UBBCONFIG* file" on page 37 for details.

## Establishing connections

The TM, together with the XA Interface, establishes connections between applications and RMs in several steps.

- v **Establishing connections in a CICS environment**
  - 1 When the CICS region starts up, it issues an XA open call to each LRM configured in an XAD, using the information contained in each open string.
  - 2 The CICS region passes to the XA Interface library the open string associated with each stanza. The open string contains the LRM name, the user name, and the password.
  - 3 The XA Interface looks up the LRM name in the Sybase XA configuration file and matches it to an actual RM name, that is, an actual physical Adaptive Server. The RM name matches an entry in the Adaptive Server interfaces file.
  - 4 The XA Interface establishes one connection to an Adaptive Server for each LRM entry. The XA Interface confers on any connection the pre-connection properties and capabilities configured for the LRM.
- v **Establishing connections in an Encina environment**
  - 1 An application issues a mon\_RegisterRmi function, thereby requesting use of an LRM.
  - 2 Using information contained in an open string, the TM issues an XA open call to the LRM (configured in the monadmin create rm command) whose name matches that issued in step 1, above.
  - 3 The TM passes the open string associated with each monadmin create rm command to the XA Interface. The open string contains the LRM name.

- 4 The XA Interface looks up the LRM name in the Sybase XA configuration file and matches it to an actual RM name—that is, to an actual physical Adaptive Server. The RM name matches an entry in the Adaptive Server *interfaces* file.
- 5 The XA Interface establishes one logical connection to an Adaptive Server for each LRM entry. The XA Interface confers on any connection the pre-connection properties and capabilities configured for the LRM.

v **Establishing connections in a TUXEDO environment**

- 1 The application uses the LRM specified in the *UBBCONFIG* file to reference the logical connection for a branch of a global transaction. In using the LRM name, the application implicitly requests and establishes an LRM.
- 2 The transaction manager passes the appropriate open string to the XA Interface through the LRM whose name matches the one issued in step 1. The XA Interface uses the LRM name, the user name, and the password.
- 3 The XA Interface looks in the *xa\_config* file to find an association between the LRM name and Adaptive Server. The Adaptive Server name matches an entry in the *interfaces* file where its network information is kept.
- 4 The XA Interface establishes one logical connection to an Adaptive Server for each LRM entry. The XA Interface confers on any connection the pre-connection properties and capabilities configured for the LRM.

## Distributing work across LRMs

The System Administrator and the application programmer together must agree on the number and names of LRMs that their Sybase XA environment includes.

The System Administrator configures the TM and Sybase XA configuration files accordingly. The application programmer invokes a particular LRM name within the application code to send a portion of a global transaction across that connection. The TM coordinates this distribution.

You can configure the Sybase XA environment for more connections than are actually used. That is, the XA configuration file may contain inactive entries.

Figure 2-4 depicts the relationship between the Sybase XA configuration file, TM configuration file, application code, and Adaptive Server *interfaces* file for a CICS environment.







# Configuring the XA Environment

This chapter describes how to configure the XA environment for use with CICS, Encina, and TUXEDO TMs.

Topic	Page
Configuring Adaptive Server	19
Open string parameters for DTM XA Interface	20
XA configuration file for DTM XA Interface	22
Using the DTM XA Interface with CICS	28
Using the DTM XA Interface with Encina	33
Using the DTM XA Interface with TUXEDO	35
Build COBOL runtime environment	40

You must link the DTM XA Interface library with your X/Open XA-compliant transaction manager to use Adaptive Server as a resource manager.

---

**Note** See the *README* file under the subdirectories of `$SYBASE/$SYBASE_OCS/sample` for detailed information about configuring the DTM XA Interface for your system.

---

## Configuring Adaptive Server

To function in a Sybase XA environment, your Adaptive Server must be licensed and configured to use the distributed transaction management feature. See the Adaptive Server *Installation Guide* and *Using Adaptive Server Distributed Transaction Management Features* for more information.

If your Adaptive Server is licensed to use distributed transaction management, you can enable the feature using the `enable dtm` configuration parameter:

```
sp_configure 'enable dtm', 1
```

You must restart Adaptive Server for this parameter to take effect.

## Open string parameters for DTM XA Interface

The X/Open XA specification allows each resource manager vendor to define an open string and a close string. The DTM XA Interface does not require or use the close string.

The DTM XA Interface uses the required and optional open string parameters described below.

### Open string parameters

The format for parameters in the open string for the DTM XA Interface is:

```
-Nlrm_name -Uusername -Ppassword [-Llogfile_name]  
[-Ttraceflags] [-V11] [-O1] [-O-1]
```

Table 3-1 describes each component of the open string.

**Table 3-1: Sybase X/Open XA open string parameters**

Parameter	Meaning
<code>lrm_name</code>	The name of the LRM as defined in the XA configuration file.
<code>username</code>	The user name used to log in to Adaptive Server. See “dtm_tm_role required for username” on page 21 for more information.
<code>password</code>	The password accompanying the user name.
<code>logfile_name</code>	The fully qualified file name to which the XA Interface writes tracing information (optional). The XA Interface initializes the log file and trace flag settings with the initial <code>xa_open()</code> call. If no <code>logfile_name</code> is specified, then the DTM XA Interface logs information to a file named <code>syb_xa_log</code> in the current directory.
<code>traceflags</code>	Trace flags control the output that is written to the log file (optional). See “Parameter definitions for [all] section” on page 23 for a list of valid trace flags.
-V11	Specifies Open Client version 11 behavior for backward compatibility (optional).
-O1 or -O-1	Specifies an option for transaction operation. At this time only -O1 (tightly coupled transaction branches) is supported. -O1 sets the option. -O-1 clears the option. -O-1 is the default.

---

**Warning!** See “Tightly coupled transactions” on page 51 before setting -O1.

---

## ***dtm\_tm\_role* required for *username***

In the open string for resource managers, the specified *username* must have the *dtm\_tm\_role* in the corresponding Adaptive Server. The System Security Officer can assign this role using *sp\_role* or the *grant* command. For example:

```
sp_role "grant", dtm_tm_role, user_name
```

## **Log file and trace flag parameters**

With the DTM XA Interface to Adaptive Server, log file and trace flag parameters can be defined in the [all] section of the XA configuration file, rather than in the X/Open XA open string. See “[all] section for defining common LRM parameters” on page 23 for more information about the log file and trace flag components.

## **Labels for logfile entries**

The DTM XA Interface marks each entry in the log file with a label indicating the severity or cause of the message. Table 3-2 describes each label.

**Table 3-2: Logfile message labels**

<b>Label</b>	<b>Type of entry</b>
Error	An error returned to the transaction manager
Fatal Error	A severe failure in the DTM XA Interface, with a possible application or transaction manager error
Message	Additional information about a previous error, or a description of the operational environment
Warning	A condition that may indicate problems with the transactional system
Note	Information that does not indicate a problem, but may be useful if an error occurs
XA trace	Information logged as a result of the xa trace flag setting
RM trace	Information logged as a result of the xl trace flag setting
Connection trace	Information logged as a result of the xc trace flag setting
ASE I/F trace	Information logged as a result of the xs trace flag setting
Misc trace	Information logged as a result of the misc trace flag setting
Event trace	Information logged as a result of the event trace flag setting
Verbose trace	Information logged as a result of the v trace flag setting
Function trace	Information logged as a result of the cmn trace flag setting
Open Client trace	Information logged as a result of the ct trace flag setting

## ***xa\_open()* function behavior**

The X/Open XA function, *xa\_open()*, initiates a single connection to Adaptive Server. The *username* and *password* defined in the open string must possess the *dtm\_tm\_role* in the server, as described under “*dtm\_tm\_role* required for username” on page 21.

## **XA configuration file for DTM XA Interface**

The DTM XA Interface to Adaptive Server provides mechanisms for configuring the Open Client connections using the XA configuration file. Set all connection capabilities, properties, and options using the XA configuration file.

## **Environment variable for specifying configuration file**

The DTM XA Interface uses the environment variable *XACONFIGFILE* to find the full path and file name of the XA configuration file. You can set this environment variable to specify different locations and names to use for configuration information as necessary.

For example, on UNIX platforms:

```
setenv XACONFIGFILE /usr/u/sybase/xaconfig1.txt
```

If *XACONFIGFILE* is not defined, or if it does not specify a valid configuration file, the DTM XA Interface looks for a file named *xa\_config* in the following directories:

- *\$SYBASE/\$SYBASE\_OCS/config*
- *\$SYBASE/\$SYBASE\_OCS*
- *\$SYBASE/config*
- *\$SYBASE*

The DTM XA Interface uses the first *xa\_config* file it finds.

## [all] section for defining common LRM parameters

The DTM XA Interface uses the [all] section to define parameters that apply to all LRMs.

Certain parameters defined in the [all] section—log file and trace flag definitions—may also be defined in the open string for X/Open XA transaction managers.

### Parameter definitions for [all] section

Entries for the [all] section in the XA configuration file are as follows:

```
[all]
logfile="logfile_name"
traceflags="[xa | xl | xc | cm| event | misc | os | ct
| all]"
[properties=name=value] [...]
```

---

**Note** The “0x” values in the *xa\_config* file can be lost or converted to non-ASCII characters because of the way some characters are processed. To avoid this problem, you must use quotes around all string values. Failure to do so can result in the introduction of unexpected characters into the string.

---

Table 3-3 describes each component.

**Table 3-3: Parameters for [all] section of XA configuration file**

Parameter	Meaning
<i>logfile_name</i>	The fully qualified file name to which the DTM XA Interface writes tracing information. The DTM XA Interface initializes the log file and trace flag settings with the initial <code>xa_open()</code> call.

Parameter	Meaning
<i>traceflags</i>	<p>The trace flags control the output that is written to the log file. Specify one or more of the following flags:</p> <ul style="list-style-type: none"><li>• all – all tracing.</li><li>• ct – the ct_debug option with the CS_DBG_ERROR flag (ct_debug functionality is available only from within the debug version of Client-Library).</li><li>• cmn – entry and exit point tracing of internal XA Interface functions.</li><li>• event – tracing of significant internal events.</li><li>• misc – tracing of activities and information for problem resolution.</li><li>• xa – entry and exit point tracing at the xa_* level.</li><li>• xc – entry and exit point tracing at the xc_* level.</li><li>• xl – entry and exit point tracing at the xl_* level.</li></ul> <hr/> <p><b>Note</b> Tracing at the xc_*, xl_*, event, misc, and cmn levels is intended to be meaningful only to Sybase development. Specify these tracing levels only when instructed to do so by Sybase Technical Support.</p> <hr/>
<i>properties</i>	<p><b>Note</b> The following property must be set in the [all] stanza. You cannot set it in the [xa] stanza: CS_LOGIN_TIMEOUT=<i>timeout</i></p> <hr/> <p>You can define these optional properties in the [all] section of the XA configuration file:</p> <ul style="list-style-type: none"><li>• PROPERTIES=CS_DISABLE_POLL=[CS_TRUE   CS_FALSE]</li><li>• PROPERTIES=CS_EXTRA_INF=[CS_TRUE   CS_FALSE]</li><li>• PROPERTIES=CS_HIDDEN_KEYS=[CS_TRUE   CS_FALSE]</li><li>• PROPERTIES=CS_MAX_CONNECT=<i>number_of_connections</i></li><li>• PROPERTIES=CS_NOINTERRUPT=[CS_TRUE   CS_FALSE]</li><li>• PROPERTIES=CS_TEXTLIMIT=<i>textlimit</i></li><li>• PROPERTIES=CS_TIMEOUT=<i>timeout</i></li></ul>

## Editing the XA configuration file

You must customize the XA configuration file for the application environment. Use the text editor of your choice to open the XA configuration for editing. The sample contents of an XA configuration file are as follows:

```
; Comment line as first line of file REQUIRED!  
;  
; xa_config - sample xa_config file.  
;
```

```

; Note that the Adaptive Server names may need
; to be customized for your environment.

; simprpc.ct sample application entry.

[all]
    logfile="logfile_name"
    traceflags="traceflags"
    properties="name"="value" [, "name"="value"]
[...]

[xa]
    lrm="connection1"
    server="sqlserver"

; Rentapp sample xa_config entries.

[xa]
    lrm="FLEET_CON"
    server="fleetsrv"

[xa]
    lrm="RESERVE_CON"
    server="rsrvsrv"

```

---

**Note** The first line of the *xa\_config* file *must* be a comment that is denoted by a semicolon (;) in the first character position.

---

For each additional LRM, create an entry with the following format. Keep the connection1 entry for installation verification.

```

[xa]
<tab> lrm="connection_name"
<tab> server="adaptive_server_name"
<tab> capabilities="name"="value" [, "name"="value"]
[...]
<tab> properties="name"="value" [, "name"="value"]
[...]
<tab> options="name"="value" [, "name"="value"] [...]

```

The *connection\_name* is the symbolic name for the connection between the application and SQL. The *adaptive\_server\_name* is the name of the Adaptive Server associated with the connection. *adaptive\_server\_name* must correspond to a server name defined in the *interfaces* file.

See “Additional capabilities, properties, and options” on page 26 for information a list of capabilities, properties, and options that can be used with the DTM XA Interface.

## Additional capabilities, properties, and options

XA configuration file entries for capabilities, properties, and options have the following general format:

```
<tab> capabilities="name"="value" [, "name"="value"
[...]
<tab> properties="name"="value" [, "name"="value"
[...]
<tab> options="name"="value" [, "name"="value" [...]
```

The following is the list of the names for capabilities that can be defined in the XA configuration file for the DTM XA Interface. Unless otherwise specified in these tables, the valid values for each capability is CS\_TRUE or CS\_FALSE.

---

**Note** All names and values for these capabilities, properties, and options correspond to CS-Library **keywords**. See the *Open Client Client-Library/C Reference Manual* for specific descriptions.

---

CS_CON_NOINBAND	CS_DATA_NODATETIMEN	CS_DATA_NOMONEYN
CS_CON_NOOOB	CS_DATA_NODEC	CS_DATA_NONUM
CS_DATA_NOBIN	CS_DATA_NOFLT4	CS_DATA_NOSENSITIVITY
CS_DATA_NOVBIN	CS_DATA_NOFLT8	CS_DATA_NOTEXT
CS_DATA_NOLBIN	CS_DATA_NOIMAGE	CS_PROTO_NOBULK
CS_DATA_NOBIT	CS_DATA_NOINT1	CS_PROTO_NOTEXT
CS_DATA_NOBOUNDARY	CS_DATA_NOINT2	CS_RES_NOEED
CS_DATA_NOCHAR	CS_DATA_NOINT4	CS_RES_NOMSG
CS_DATA_NOVCHAR	CS_DATA_NOINT8	CS_RES_NOPARAM
CS_DATA_NOLCHAR	CS_DATA_NOINTN	CS_RES_NOTDSDEBUG
CS_DATA_NODATE4	CS_DATA_NOMNY4	CS_RES_NOSTRIPBLANKS
CS_DATA_NODATE8	CS_DATA_NOMNY8	

The following lists the names for properties that can be defined in the XA configuration file for the DTM XA Interface. Unless otherwise specified in these tables, the valid values for each property is CS\_TRUE or CS\_FALSE.



CS_ASYNC_NOTIFS	CS_SEC_NEGOTIATE
CS_DIAG_TIMEOUT	CS_TDS_VERSION= [CS_TDS_40   CS_TDS_42  CS_TDS_46  CS_TDS_50]
CS_DISABLE_POLL	CS_TEXTLIMIT= <i>textlimit</i>
CS_HIDDEN_KEYS	CS_EXTRA_INF
CS_PACKETSIZE= <i>packetsize</i>	CS_MAX_CONNECT= <i>connections</i>
CS_SEC_APPDEFINED	CS_NOINTERRUPT
CS_SEC_CHALLENGE	CS_TIMEOUT= <i>timeout</i>
CS_SEC_ENCRYPTION	

The following lists the names for options that can be defined in the XA configuration file for the DTM XA Interface. Unless otherwise specified in these tables, the valid values for each option is CS\_TRUE or CS\_FALSE.

CS_OPT_ANSINULL
CS_OPT_ANSIPERM
CS_OPT_ARITHABORT
CS_OPT_ARITHIGNORE
CS_OPT_DATEFIRST=[CS_OPT_SUNDAY  CS_OPT_MONDAY  CS_OPT_TUESDAY  CS_OPT_WEDNESDAY  CS_OPT_THURSDAY  CS_OPT_FRIDAY  CS_OPT_SATURDAY]
CS_OPT_DATEFORMAT=[CS_OPT_FMTMDY  CS_OPT_FMTDMY  CS_OPT_FMTYMD  CS_OPT_FMTYDM  CS_OPT_FMTMYD  CS_OPT_FMTDYM]
CS_OPT_FIPSFLAG
CS_OPT_FORCEPLAN
CS_OPT_FORMATONLY
CS_OPT_GETDATA
CS_OPT_ISOLATION=[CS_OPT_LEVEL1  CS_OPT_LEVEL3]
CS_OPT_NOCOUNT
CS_OPT_NOEXEC
CS_OPT_PARSEONLY
CS_OPT_QUOTED_IDENT
CS_OPT_RESTREES
CS_OPT_ROWCOUNT= <i>rowcount</i>
CS_OPT_SHOWPLAN
CS_OPT_STATS_IO
CS_OPT_STATS_TIME
CS_OPT_STR_RTRUNC
CS_OPT_TEXTSIZE= <i>textsize</i>

## Using the DTM XA Interface with CICS

This section explains how to setup your CICS environment to use the DTM XA Interface. See also “XA configuration file for DTM XA Interface” on page 22 for information on creating an XA configuration file.

### Building the switch-load file

Each RM defined in the CICS environment must provide an XA switch-load file. The switch-load file is a component of your CICS configuration; it is referenced in the XAD. It contains the RM’s name, a flag, a version number and a set of non-null pointers to the RM’s entry points, provided by the DTM XA Interface.

All of the Sybase XADs share a single switch-load file. You can build your Sybase switch-load file using the file *sybasexa.c*, which is located in:

*\$\$SYBASE/\$\$SYBASE\_OCS/sample/xa-dtm/cics/switch*

The following is a listing of *sybasexa.c*:

```
/*
**
** sybasexa.c
**
** The sybasexa routine references the Sybase xa
** switch structure named "sybase_TXS_xa_switch".
** The switch structure is part of the
** XA product library "libdtmxa.a".
**
** See your CICS documentation for details on the
** switch-load file.
*/

#include <stdio.h>
#include <tmxa/xa.h>

extern struct xa_switch_t sybase_TXS_xa_switch;
extern struct xa_switch_t RegXA_xa_switch;
extern struct xa_switch_t *cics_xa_switch;

struct xa_switch_t *sybasexa(void)
{
    cics_xa_switch = &sybase_TXS_xa_switch;
}
```

```

        cics_xa_init();

        return(&RegXA_xa_switch);
    }

```

This source code references the Sybase XA switch structure, which is global to the DTM XA Interface and defined as follows:

```

struct xa_switch_t sybase_TXS_xa_switch =
{
    "SYBASE_SQL_SERVER",
    TMNOFLAGS,
    0,
    xa_open,
    xa_close,
    xa_start,
    xa_end,
    xa_rollback,
    xa_prepare,
    xa_commit,
    xa_recover,
    xa_forget,
    xa_complete
};

```

The use of TMNOFLAGS specifies that the DTM XA Interface supports thread migration but does not support dynamic registration or asynchronous operations. For a description of these features, see the *X/Open CAE Specification (December 1991) Distributed Transaction Processing: The XA Specification*.

## Compiling the switch-load file on IBM RISC System/6000 AIX

Compile *sybasexa.c* using the makefile *sybasexa.mk*, which is located in *SYBASE/SYBASE\_OCS/sample/xa-dtm/cics/switch*.

This is a listing of *sybasexa.mk*. Edit it to reflect your configuration:

```

SYB_LIBDIR = $(SYBASE)/$(SYBASE_OCS)/lib
SYBLIBS = -lxadtm -lct_r.so -lcs_r.so -ltcl_r.so -lcomm_r.so -lintl_r
          -lxdxom

all : sybasexa.c xlc_r4 -bnoquiet -v -D_THREAD_SAFE \
-I/usr/lpp/encina/include sybasexa.c \
-o sybasexa \
-esybasexa \
-L/usr/lpp/cics/lib \

```

```
-L$(SYB_LIBDIR) \  
$(SYBLIBS) \  
-lcicsrt -ldce -lm \  
/usr/lpp/cics/lib/regxa_swxa.o
```

---

**Note** You must use the shareable versions of CS-Library (*libcs\_r.so.*) and Common Library (*libcom\_r.so.*).

---

## Compiling the switch-load file on HP9000 Series 800 HP-UX

Compile *sybasexa.c* using the makefile *sybasexa.mk.hp800*, which is located in *\$\$SYBASE/\$\$SYBASE\_OCS/sample/xa-dtm/cics/switch*

This is a listing of *sybasexa.mk.hp800*. Edit it to reflect your configuration.

```
#  
# Makefile to compile the LoadSwitchTable  
# This makefile should be run with the command  
# "make -f sybasexa.mk.hp800"  
#  
  
CC=/opt/ansic/bin/cc  
CCOPTS= -Aa +z -Dsybasexa=CICS_XA_Init  
ENCINA=/opt/encina  
CICS=/opt/cics  
LD=/usr/ccs/bin/ld  
  
SYB_LIBDIR = $(SYBASE)/$(SYBASE_OCS)/lib  
CICS_LIBDIR = $(CICS)/lib  
  
all: sybasexa  
  
sybasexa: sybasexa.o  
$(LD) -b \  
+e CICS_XA_Init \  
-o sybasexa \  
sybasexa.o \  
$(CICS_LIBDIR)/regxa_swxa.o \  
-Bimmediate -Bnonfatal +s +b/opt/cics/lib \  
$(SYB_LIBDIR)/libxadtm.a \  
$(SYB_LIBDIR)/libct_r.a \  
$(SYB_LIBDIR)/libcs_r.sl \  
$(SYB_LIBDIR)/libtcl_v.a \  
$(SYB_LIBDIR)/libcomm_v.sl \  
$(SYB_LIBDIR)/libintl_r.sl \  

```

---

```

-lm \
$(CICS_LIBDIR)/libcicsrt.sl \
-lc

sybasexa.o: sybasexa.c
$(CC) -c $(CCOPTS) \
-I$(ENCINA)/include sybasexa.c

```

---

**Note** You must use the shareable versions of CS-Library (*libcs\_r.sl*) and Common Library (*libcomm\_dce.sl*).

You must have the ANSI C compiler to build the Load Switch Table.

---

## Compiling the switch-load file on Sun Solaris 2.x (SPARC)

Compile *sybasexa.c* using the makefile *sybasexa\_sol.mk* which is located in *\$\$SYBASE/\$\$SYBASE\_OCS/sample\_dtm/cics/switch*.

This is a listing of *sybasexa\_sol.mk*. Edit it to reflect your configuration.

```

#Makefile to compile the LoadSwitchTable
#This makefile should be run with the command "make -f
sybasexa_sol.mk"

SYB_LIBDIR = $(SYBASE)/lib
SYBLIBS = lxadtm -lct_r -lcs_r.so -ltcl_r -lcomm_r.so
-lintl_r -lxdxom -lm

all: sybasexa.c
/bin/xlc_r -v -D_THREAD_SAFE \
-I /usr/lpp/encina/include sybasexa.c \
-o sybasexa \
-esybasexa \
-L/usr/lpp/cics/lib \
-L$(SYBLIBS) \
-lcicsrt \
/usr/lpp/cics/lib/regxa_swxa.o -ldce

```

## Adding a Sybase stanza to the CICS region XAD definition

The CICS TM uses CICS XAD information to communicate with other RMs. The XAD definition contains one Sybase stanza for each LRM. For a description of an XAD stanza's attributes, see your CICS documentation.

Below are two sample Sybase XAD stanzas. Use the SMIT utility to add stanzas to your CICS region:

```
betaOne:
GroupName=" "
ActivateOnStartup=yes
ResourceDescription="XA Product Definition"
AmendCounter=2
Permanent=no
SwitchLoadFile="/usr/lpp/sybase/sample/xa_library/
                cics/switch/sybasexa"
XAOpen="-User_1 -Ppassword_1 -Nconnection_1"
XAClose="ignored"
XASerialize=all_operations
```

```
betaTwo:
GroupName=" "
ActivateOnStartup=yes
ResourceDescription="XA Product Definition"
AmendCounter=2
Permanent=no
SwitchLoadFile="/usr/lpp/sybase/sample/xa_library/
                cics/switch/sybasexa"
XAOpen="-User_2 -Ppassword_2 -Nconnection_2"
XAClose="ignored"
XASerialize=all_operations
```

The following fields are configuration-dependent and must be modified:

- SwitchLoadFile
- XAOpen
- XAClose
- XASerialize

---

**Note** All Sybase stanzas can use the same switch-load file.

---

See “Open string parameters for DTM XA Interface” on page 20 for information about the contents specified in the XAOpen string of the XAD Definition.

## Using the DTM XA Interface with Encina

This section describes how to assign an open string and initialize an RM for use with the Encina. See also “XA configuration file for DTM XA Interface” on page 22 for information on creating an XA configuration file.

### Assigning an open string with *monadmin create rm*

The `monadmin create rm` command assigns each LRM a user name and password in the form of an *open string*. The user name and password allow the DTM XA Interface to control a particular connection’s access to Adaptive Server resources. See “Open string parameters for DTM XA Interface” on page 20 for more information about the contents of the open string.

The following shows sample screen contents of a `monadmin create rm` session:

```
echo "Creating connection_1 resource manager record"
monadmin delete rm connection_1 >>& demo_conf.log
monadmin create rm connection_1\
-open "-Usa -Psecret -Nconnection_1" \
-close "not used" >>& \
demo_conf.log
if ($status) then
echo "Failed to create lrm_1 resource mgr.";
exit 1;
endif
```

Your current version of Encina may have additional commands for specifying RMs. For detailed information, see the *Encina Monitor System Administrator’s Guide and Reference*.

---

**Note** You can use Encina `enconsole` interactive command instead of the shell `monadmin` command.

---

### Initializing LRMs with *mon\_RegisterRmi*

From within your Encina Monitor application server, you must register each LRM with a call to `mon_RegisterRmi`. For example:

```
status =
mon_RegisterRmi(&sybase_TXS_xa_switch,"connection_1",
&rmiID);
```

```
if (status != MON_SUCCESS)
{
fprintf(stderr, "mon_RegisterRmi failed (%s).\n",
mon_StatusToString(status));
bde_Exit(1);
}
fprintf(stderr, "mon_RegisterRmi complete\n");
```

For each LRM registered with a monadmin create rm command, there must be a mon\_RegisterRmi command that initializes the LRM. The *rmname* specified in the monadmin create rm command must match the *rmname* in the mon\_RegisterRmi command.

See the *Encina Monitor Programmer's Guide* for:

- Information about the tasks performed by the registration function and the order in which they must be performed
- Full syntax of the mon\_RegisterRmi command

## Linking applications with DTM XA Interface libraries

Link applications with the DTM XA Interface library, *libxadtm.a*.

## Establishing connections

The TM, together with the DTM XA Interface library, establishes connections between applications and RMs in several steps:

- 1 An application issues a mon\_RegisterRmi function, thereby requesting use of an LRM.
- 2 Using information contained in an open string, the TM issues an XA open call to the LRM (configured in the monadmin create rm command) whose name matches that issued in step 1, above.
- 3 The TM passes the open string associated with each monadmin create rm command to the DTM XA Interface. The open string contains the LRM name.
- 4 The DTM XA Interface looks up the LRM name in the XA configuration file and matches it to an actual RM name—that is, to an actual physical Adaptive Server. The RM name matches an entry in the Adaptive Server *interfaces* file.



- 5 The DTM XA Interface establishes one logical connection to an Adaptive Server for each LRM entry. It then confers on any connection the preconnection properties and capabilities configured for the LRM.

## Using the DTM XA Interface with TUXEDO

The following sections explain the application-specific steps you need to take to integrate the XA Interface with TUXEDO.

The application-specific part of the integration involves:

- Linking the application with the application servers
- Setting up the *UBBCONFIG* file
- Building a transaction monitor server (TMS)
- Integrating the application servers with the resource managers

It is assumed that TUXEDO is installed in the *\$TUXDIR* directory and that any resource managers are also installed on the system.

---

**Note** In the following procedures, replace the environment variables with the actual TUXEDO paths as follows: replace *\$TUXDIR* with your actual root directory path, and replace *\$SYBASE* with the path to the DTM XA Interface installation directory.

---

Table 3-4 provides the Sybase-specific information you need to perform the TUXEDO integration. The *TUXEDO Installation Guide* discusses this information in “Integrating a Resource Manager With System/T”.

**Table 3-4: Information needed to integrate the TUXEDO System**

Type of Information	Sybase Specific	Description
RM name	SYBASE_XA_SERVER	The name of the resource manager in the <i>name</i> element of the <i>xa_switch_t</i> structure.
XA structure name	sybase_TUX_xa_switch	The name of the <i>xa_switch_t</i> structure that contains the resource manager identifier, the flags for the resource manager’s capabilities, and the function pointers of the XA functions.

Type of Information	Sybase Specific	Description
Library name	The library files <i>ct_r</i> , <i>cs_r</i> , <i>comm_r</i> , <i>tcl_r</i> , and <i>intl_r</i> which are located in <i>\$\$SYBASE/\$SYBASE_OCS/lib</i>	The list of files needed to support the DTM XA Interface, and a full path name.
Open string contents	See “Open string parameters for DTM XA Interface” in this document for more information..	The format of the information string passed to the functions.

---

**Note** Whether you should use the DTM XA with the reentrant libraries (such as *ct\_r*, *cs\_r*, *comm\_r*, *tcl\_r*, and *intl\_r*) depends on whether or not you are developing threaded applications. For threaded applications, you must use reentrant libraries. For non-threaded applications, you can use non-reentrant libraries such as *ct*, *cs*, *comm*, *tcl*, and *intl*.

---

See also “XA configuration file for DTM XA Interface” on page 22 for information on creating an XA configuration file.

## Linking

The TUXEDO RM file provides information used by TUXEDO utilities to link TUXEDO servers. Make sure that the RM file contains an appropriate set of specifications for linking Sybase applications.

- 1 Use the text editor of your choice to open the *\$TUXDIR/udataobj/RM* file for editing.
- 2 Update the file with XA information by adding/verifying entries for Sybase resource managers. For most Sybase applications, including the *simprpc.ct* sample application, one entry for *SYBASE\_XA\_SERVER* is all that you need. If you are going to build and run the *rentapp* sample, you may want to go ahead and add the second entry for *SCRAP\_XA\_SERVER*, as required for *rentapp*.

Replace *\$\$SYBASE/\$SYBASE\_OCS* with the fully qualified path to the Sybase installation directory containing the XA Interface:

```
SYBASE_XA_SERVER:sybase_TUX_xa_switch:-t -Bstatic -L$$SYBASE/$SYBASE_OCS/lib
-lcobct -lxadtm -lct_r -lcs_r -lcomm_r -ltcl_r -lintl_r -Bdynamic -ldl
SCRAP_XA_SERVER:sybase_TUX_xa_switch:-t -Bstatic -L$$SYBASE/$SYBASE_OCS/lib
-lcobct -lxadtm -lct_r -lcs_r -lcomm_r -ltcl_r -lintl_r -Bdynamic -ldl
```

---

**Note** Each entry *must* be a single continuous line.

---

The *cobct* libraries are only needed if you are building ESQL/COBOL application servers. If you are not using ESQL/COBOL, you can remove the *-lcobct* specification.

If you want your TUXEDO servers to load and execute all Sybase libraries dynamically, you can use entries like the following. Dynamic libraries may increase CPU overhead for TUXEDO server execution.

```
SYBASE_XA_SERVER:sybase_TUX_xa_switch:-L$SYBASE/$SYBASE_OCS/lib -lxadtm
-lct_r -lcobct -lcs_r -lcomn_r -ltcl_r -lintl_r
SCRAP_XA_SERVER:sybase_TUX_xa_switch:-L$SYBASE/$SYBASE_OCS/lib -lxadtm
-lct_r -lcobct -lcs_r -lcomn_r -ltcl_r -lintl_r
```

---

**Note** Each entry *must* be a single continuous line.

---

You can add a comment line by identifying it with a leading pound sign (#) character.

## Setting up the UBBCONFIG file

This section provides specific examples for setting up the TUXEDO *UBBCONFIG* file with the XA Interface.

For the *simprpc.ct* sample application, the *pubs2* database must be installed on Adaptive Server. Use the installation script in the Adaptive Server directory under *scripts/installpubs2*.

“Open string parameters for DTM XA Interface” on page 20 explains the open string in the *UBBCONFIG* file.

- 1 Use the ASCII text editor of your choice to open `$SYBASE/$SYBASE_OCS/sample/xa-dtm/tuxedo/simprpc.ct/ubbsimpct` for editing. The file is shown here with line numbers to facilitate the discussion:

```
1 *RESOURCES
2 IPCKEY          123456
3
4 MASTER          sybsite
5 MAXACCESSERS   5
6 MAXSERVERS     5
```

```

7  MAXSERVICES      10
8  MODEL            SHM
9
10 MAXGTT           5
11
12 *MACHINES
13 yourmachine      LMID=sybsite
14 TUXDIR="$TUXDIR"
15 APPDIR="$SYBASE/$SYBASE_OCS/sample/xa-dtm/tuxedo/simprpc.ct"
16 TLOGDEVICE="$SYBASE/$SYBASE_OCS/sample/xadtm/tuxedo/
   simprpc.ct/tuxlog"
17 TLOGNAME=TLOG
18 TUXCONFIG="$SYBASE/$SYBASE_OCS/sample/xa-dtm/tuxedo
   /simprpc.ct/tuxconfig"
19 ULOGPFX="$SYBASE/$SYBASE_OCS/sample/xa-dtm/tuxedo/simprpc.ct/ULOG"
20
21 *GROUPS
22 DEFAULT:         TMSNAME=simprpccttms TMSCOUNT=2
23
24 GROUP1           LMID=sybsite   GRPNO=1
25 OPENINFO="SYBASE_XA_SERVER: -Useridl -Ppasswordl -Nconnectionl"
26
27 *SERVERS
28 simprsv          SRVGRP=GROUP1  SRVID=1
29
30 *SERVICES

```

- 2 Replace entries in the file with entries appropriate for your environment as shown in Table 3-5:

**Table 3-5: Environment specific file entries**

Line number	Entry	Replace with
13	<i>yourmachine</i>	Replace with the name of the machine that contains the XA Interface installation. Remember that the machine name is case-sensitive.
14	<i>\$TUXDIR</i>	Replace with the actual TUXEDO root directory path.
15, 16, 18, 19	<i>\$SYBASE/\$SYBASE_OCS</i>	Replace with the XA Interface installation directory.
22	<i>simprpccttms</i>	This parameter is specific to the <i>simprpc.ct</i> example. In general, this parameter should relate to the value specified in the <i>-o</i> parameter of the <i>buildtms</i> command described on “Building the TMS” on page 39.
25	Open string parameters	See “Open string parameters for DTM XA Interface” on page 20 for more information.

---

**Note** See the *TUXEDO Installation Guide* for a detailed discussion of the *UBBCONFIG* file.

---

## Creating the TUXEDO configuration file

Set the *\$TUXCONFIG* environment variable to a value that matches the entry in *ubbsimpct* by issuing this command:

```
setenv TUXCONFIG $SYBASE/$SYBASE_OCS/sample/xa-dtm/tuxedo/simprpc.ct/tuxconfig
```

Create a TUXEDO configuration file from the *UBBCONFIG* file by executing this command:

```
$TUXDIR/bin/tmloadcf -y ubbconfig_file_name
```

For this verification, using the *simprpc.ct* sample, replace *ubbconfig\_file\_name* with *ubbsimpct*.

## Building the TMS

Build the transaction monitor server (TMS) by executing this command, where *output\_file* is a name you choose for the transaction monitor server program:

```
$TUXDIR/bin/buildtms -r SYBASE_XA_SERVER -o  
$TUXDIR/bin/output_filetms
```

It is helpful to append *tms* to the name as shown here, so it is easily identified. Choose a unique name for the program so that it does not conflict with TMS programs for other resource managers (TMS, TMS\_D, and TMS\_SQL are reserved).

For the *simprpc.ct* example verification, the *UBBCONFIG* file uses *simprpcctms*, which is described in Table 3-5 on page 38.

The program is stored in *\$TUXDIR/bin* so that the TUXEDO System/T start program can find it.

## Build COBOL runtime environment

In CICS transactions, COBOL transactions use the COBOL runtime, which you must modify to communicate with the Sybase XA environment.

- v **Configuring CICS to support Sybase XA COBOL transactions**
  - 1 Log in as root.
  - 2 Set the *COBDIR* environment variable to the directory path for the MicroFocus COBOL installation.
  - 3 Set the *PATH* environment variable to include the MicroFocus COBOL binary directory.
  - 4 Change directory to the *\$SYBASE/\$SYBASE\_OCS/sample/xa-dtm/cics* directories.
  - 5 Run *xa\_make\_cobol\_runtime*.

---

**Warning!** This script assumes that the CICS COBOL runtime file is installed in */usr/lpp/cics/v1.1/bin*. If you have installed CICS somewhere else, you must edit this script to reflect your installation.

---

This script builds a MicroFocus COBOL runtime environment with CICS and Sybase XA support. It allows CICS transactions written in COBOL to reference XA Interface and Open Client functions at run time. The script takes several minutes to run. For more information, see your CICS documentation.

---

**Note** You must use MicroFocus COBOL 3.1 or higher.

---

# Application Programming Guidelines

Embedded SQL and Client-Library applications must conform to certain coding constraints in order to function within the Sybase XA environment. This chapter summarizes these constraints and provides a Client-Library code fragment and two Embedded SQL code fragments.

<b>Topic</b>	<b>Page</b>
X/Open DTP versus traditional Sybase transaction processing	41
Transaction and connection management	42
Deallocate cursor function with Client-Library	45
Dynamic SQL	46
Getting a Client-Library connection handle	46
Multiple-thread environment issues	49
Linking with CT Library	53
Sample embedded SQL COBOL fragment	53
Sample embedded SQL C fragment	55

## X/Open DTP versus traditional Sybase transaction processing

The X/Open DTP model of transaction processing differs substantially from the traditional Sybase model. The traditional Sybase TP environment is connection oriented. Programs set up connections directly between the application program and Adaptive Server using connection management SQL statements. In the XA Interface environment, the XA Interface, using LRMs, sets up connections for the application.

Table 4-1 summarizes the differences.

**Table 4-1: Traditional TP and X/Open DTP model differences**

Traditional TP model	X/Open DTP model
There is one or more transaction per client/server connection.	There is no notion of connections. Components communicate through interfaces.
Transactions are usually local, with each transaction confined to a single Adaptive Server.	Transactions are global. They span resource managers. The work done within a transaction is accomplished using more than one resource manager.
Each Adaptive Server is responsible for the recovery of the data it contains.	The transaction manager is responsible for recovering the data stored in all of the resource managers.

## Transaction and connection management

Applications must pay special attention to commands related to:

- Transaction management
- Connection management
- The current connection

---

**Note** The XA Interface uses an ANSI default isolation level of 3. To minimize read-only locking, programs can set the transaction isolation level in the XA configuration file, or they can use `select xxx from table noholdlock` in individual SQL operations. See the *Transact-SQL User's Guide* for additional information on transaction isolation levels.

---

## Transaction management

The CICS, Encina, or TUXEDO TM is responsible for transaction management. This includes creating a global transaction in which all of an application's work is either committed or rolled back. Consequently, applications cannot issue SQL statements that manage transactions.

Specifically, applications cannot invoke the following Embedded SQL commands:

- `begin transaction`



- commit
- rollback

Client-Library applications cannot execute (via `ct_command`, `ct_dynamic`, or `ct_cursor`) any of these Transact-SQL commands:

- begin transaction
- commit transaction
- rollback transaction
- set (chained, noexec, isolation, parseonly, statistics io, statistics time)
- save transaction

---

**Note** The application must recognize Adaptive-Server-detected errors, and abort or roll back the transaction through the TM. This is especially important for Adaptive Server detected-deadlocks.

---

## Connection management

Applications rely on the Sybase XA environment for management of client/server connections. Connection management occurs transparently to the application. Consequently, Embedded SQL applications cannot invoke the following commands for XA-managed connections:

- connect
- disconnect

Client-Library applications cannot call these Client-Library commands using XA-managed connections:

- `ct_close`
- `ct_con_alloc`
- `ct_con_drop`
- `ct_con_props`
- `ct_config` with the parameters:
  - `CS_ENDPOINT`
  - `CS_EXPOSE_FMTS`

- CS\_HIDDENKEYS
- CS\_MAX\_CONNECT
- CS\_NETIO
- CS\_TRANSACTION\_NAME
- ct\_connect
- ct\_exit
- ct\_getloginfo
- ct\_init
- ct\_options with the parameters:
  - CS\_OPT\_CHAINXACTS
  - CS\_OPT\_FORCEPLAN
  - CS\_OPT\_FORMATONLY
  - CS\_OPT\_NOEXEC
  - CS\_OPT\_PARSEONLY
  - CS\_OPT\_STATS\_IO
- ct\_remote\_pwd
- ct\_setloginfo
- CS\_OPT\_STATS\_TIME

In addition, Client-Library applications cannot call these CS-Library commands:

- cs\_ctx\_drop (with global context handle)
- cs\_objects (CS\_CLEAR, CS\_SET)

## **The current connection**

The notion of a default connection, as described in the Open Client Embedded SQL documentation, does not exist in the Sybase XA environment. Consequently, applications must always explicitly specify a current connection.

There are two ways to specify the current connection in Embedded SQL. They are:

- The set connection command
- The at *connection name* clause

A current connection does not span transactions. For example, an application must reset the current connection after each CICS SYNCPOINT command or Encina onCommit command. To avoid confusion about the scope of the current connection, Sybase recommends that you use the at *connection\_name* clause with all Embedded SQL statements.

## Nontransactional connections

Applications can open and use nontransactional connections with the normal Open Client or Embedded SQL Interfaces. Operations on such connections do not participate in the transaction and are not committed or rolled back. They may be useful for queries of unchanging databases and updates of data which can be inaccurate.

## Deallocate cursor function with Client-Library

Application programs use and reuse connections that have been allocated for them via the XA Interface. Sybase's implementation of cursors starting with SQL Server version 10.1 requires cursor structures on both the client (TM/RM program) side and the Adaptive Server side.

When a client explicitly deallocates a cursor, or when the client connection is closed, Adaptive Server deallocates the server cursor structures.

When the first iteration of a program opens or closes a cursor but the connection stays allocated (as it does with XA-Library), the second iteration of the same program fails, as it attempts to open the same cursor name. Adaptive Server informs us that it already has a cursor by this name at the same nesting level.

The application program must explicitly close and deallocate the cursor before it commits or aborts its transaction. This must be done in the transaction program that allocates the cursor. Embedded SQL records information about cursors which allows the XA Interface to perform the deallocation.

With Client-Library, you must handle error paths so that cursors are deallocated before a TM abort code is called. That is, if the open cursor works, deallocate it.

Use `ct_cursor()` with type `CS_CURSOR_CLOSE` and option `CS_DEALLOC`.

## Dynamic SQL

The use of dynamic SQL statements has many characteristics in common with cursors, with the additional complexity that temporary stored procedures are sometimes placed into Adaptive Server. The use of dynamic SQL is not recommended in transactional applications, but if they are used, the following guidelines must be adhered to:

- In Embedded SQL use “Method 3: Prepare and Fetch with a Cursor” (see the ESQL document or a description of this method) if possible. When this method is used, Embedded SQL places information in the system which allows the XA Interface to locate and deallocate all dynamic SQL and cursors.
- In all other cases, the dynamic SQL statements and all associated cursors must be closed and deallocated to avoid adverse effects on other transactions. Any associated Client-Library command structures should be dropped to avoid memory leaks. See the Open Client and ESQL documentation for information on how to drop these command structures.

## Getting a Client-Library connection handle

Obtaining a connection handle is an issue specific to Client-Library applications.

When the TM opens a connection to Adaptive Server, the XA Interface allocates a `CS_CONNECTION` structure for its own use. Once control passes to the application, that application must use the connection handle contained in this structure.

To get the connection handle, specify `CS_GET` for the `cs_object` routine's action parameter with an object type of `CS_CONNECTION`. `cs_object`'s `objdata` parameter returns a structure containing a connection field. This field contains the handle to the `CS_CONNECTION` structure.

---

**Warning!** The XA Interface also allocates a `CS_COMMAND` structure whose handle is returned in the command field of the structure to which the `objdata` parameter points. An application cannot use this command handle, as the XA Interface continues to use this handle, itself.

---

The following code fragment demonstrates how to retrieve the handle to the `CS_CONNECTION` structure:

```

/*
** Arguments:
** connection null-terminated name of the connection
** (ESQL) or LRM connH loaded with the CS_CONNECTION
** handle if the lookup is successful
**
** Returns:
** CS_SUCCEED connection handle found successfully
** CS_FAIL unable to find connection handle for given
** connection /#include <stdio.h> #include <strings.h>
** #include <cspublic.h>CS_RETCODE getConn(connection,
** connH)CS_CHAR connection[128];CS_CONNECTION connH;
{
CS_INT retcode;
CS_CONTEXT *ctx;
CS_OBJNAME name;
CS_OBJDATA data;
CS_THREAD thread_functions;
CS_INT outlen;
#define THREADID_SIZE 8
CS_BYTE thread_id[THREADID_SIZE];
/* Check arguments */
if (strlen(connection) >= 128)
{
/* Connection name is too long */
return(CS_FAIL);
}
/* Get the global context handle */
retcode = cs_ctx_global(CS_VERSION_100, &ctx);
if (retcode != CS_SUCCEED)
{
/* Major environment problems! */

```

```
return(CS_FAIL)
}
/*
** Initialize the CS_OBJNAME structure to look
** for the specified connection name.
*/
name.thinkexists = CS_FALSE;
name.object_type = CS_CONNECTNAME;
strcpy(name.last_name, connection);
name.fnlen = CS_UNUSED;
name.lnlen = CS_NULLTERM;
name.scopelen = CS_UNUSED;
/*
** Set the current thread-id so we get the instance of
** this connection that this thread should be using.
*/
retcode = cs_config(ctx, CS_GET,
CS_THREAD_RESOURCE, &thread_functions,
CS_UNUSED, &outlen);
if (retcode != CS_SUCCEEDED)
{
/*
** Even in a non-threaded environment, this should be
** successful.
*/
return(CS_FAIL);
}
name.thread = (CS_VOID *) thread_id;
retcode = (*thread_functions.thread_id_fn)(
name.thread, THREADID_SIZE,
&name.threadlen);
if (retcode != CS_SUCCEEDED)
{
return(CS_FAIL);
}
/*
** Initialize the CS_OBJDATA structure to receive the
** connection handle for this connection name
*/
data.actuallyexists = CS_FALSE;
data.connection = (CS_CONNECTION *) NULL;
data.command = (CS_COMMAND *) NULL;
data.buffer = (CS_VOID *) NULL;
data.buflen = CS_UNUSED;
/* Retrieve the connection information */
retcode = cs_objects(ctx, CS_GET, &name,
```

```
&data);
if (retcode == CS_SUCCEED)
{
if (data.actuallyexists == CS_TRUE)
{
*connH = data.connection;
return(CS_SUCCEED);
}
else
{
/* No connection by that name exists */
return(CS_FAIL);
}
}
else
{
/*
** The global CS_CONTEXT handle is probably not
** initialized with connection information yet
*/
return(CS_FAIL);
}
}
```

## Multiple-thread environment issues

Threads are multiple, simultaneous paths of execution in a single operating system process, and share access to the resources allocated to that process.

Some application programming interfaces (APIs) allow an application developer to effectively use threads in the transaction environment. In turn, Sybase's XA Interface supports a maximum level of concurrency, enabling it to take advantage of those environments.

However, this raises several issues for an application developer. For background information and a complete discussion of the issues, see the OSF's *DCE Application Developer's Guide*.

The *Open Client Reference Manual* contains a section on thread-safe programming. XA Interface assigns connections to threads at the request of the TM. These assignments ensure that only one thread at a time is working on the connection and is the reason the thread ID is included in the `cs_object` request described in “Getting a Client-Library connection handle” on page 46. As long as connections assigned by XA Interface are used in the thread to which they are assigned and the restrictions on their use are followed, there should be no Open Client or ESQL threading-related problems.

## Caveats of thread use

Client-Library uses a connection state machine to verify that applications call Client-Library routines in a logical sequence. See Chapter 2, “Program Structure” in the *Open Client Client-Library/C Programmer’s Guide* for an explanation of the steps involved in structuring a Client-Library application.

The assumption underlying the use of threads is that when a thread disassociates from a transaction branch, it leaves the state machine in an inactive state. By default, all Embedded SQL statements leave the connection quiescent. With Client-Library, this is true only in the following circumstances:

- When `ct_results` returns `CS_END_RESULTS`, or `CS_SUCCEED` with a result type of `CS_CURSOR_RESULT`.
- After an application calls `ct_cancel` with *type* as `CS_CANCEL_ALL`.
- When an application returns `CS_CANCELED`. The APIs that return `CS_CANCELED` include `ct_send()`, `ct_results()`, and `ct_get_data()`.

---

**Warning!** If connections are not left in an inactive state, the consequences may include transaction rollbacks, extra overhead as the XA Interface cleans up the connection (which may require full connection close and reopen), and the possible failure of subsequent transactions. In such a situation, XA Interface attempts to maintain application operation while it minimizes failure.

---



## Embedded SQL thread-safe code

Thread-safe code protects the use of shared resources with a mutex (MUTual EXclusion semaphore). A mutex protects shared resources, such as files and global variables, by preventing them from being accessed by more than one thread at a time.

Use the `-h` (UNIX) or `/threadsafe` (VMS) precompiler option to generate thread-safe code.

## Tightly coupled transactions

The XA environment treats each thread or process that works on a transaction as a transaction branch. Each transaction branch is assigned a different `xid` and works independently of the other branches. However, all branches are committed or rolled back as a unit. This applies to MTS/COM+ environments only, and only if you are using `ctlib`-based drivers that are older than version 3.6.

Some TMs allow branches to be tightly coupled. Tightly coupled branches are assigned the same `xid` and work together on the transaction. In such cases the open string can contain the `-O1` option. This option causes Adaptive Server to move the work among connections on demand and eliminates any lock that might otherwise occur between the connections. See your TM documentation to determine how the TM can be configured for tightly coupled operation.

---

**Warning!** Set the `-O1` option only when the application design is guaranteed to avoid conflicting updates. Normally this is true only when the application branches are fully serialized, (branch B operates only after branch A completes). Data inconsistency may occur if the interaction of the tightly coupled branches is not well designed.

---

Without the `-O1` option, attempts by the branches to update the same database row can result in a deadlock internal to the transaction. The `-O1` option has no practical effect when the branches are not tightly coupled through the TM and are assigned different `xids`.

---

**Warning!** Cursors and dynamic SQL cannot be retained when the transaction is assigned to a different connection. Therefore, they should not be used unless the application structure guarantees that they are opened and closed during a period when no other branch will work on the transaction.

---

**Note** The transaction is reassigned to another connection only between batches. A tightly coupled application can ensure that a set of operations is completed without conflict by performing all the operations in a single batch. This implies that operations within a single stored procedure are also completed without conflict.

---

For example, if row z in table B must contain the sum of rows x and y in table A. The following can result in an invalid value in row z:

Branch 1:	Branch 2
Updates Row x -> 5	
Reads Row y (= 4)	
	Updates Row y -> 5
	Reads Row x (= 5)
	Updates Row z -> 10
Updates Row z -> 9 (wrong value)	

No problem occurs if the branches are performed serially:

Branch 1:	Branch 2
Updates Row x -> 5	
Reads Row y (= 4)	
Updates Row z -> 9	
	Updates Row y -> 5
	Reads Row x (=5)
	Updates Row z -> 10

A control branch can also be used to resolve the problem:

Branch 0:	Branch 1:	Branch 2
(controller)		
Starts Branches 1 and 2		
Waits for both to complete		
	Updates Row x	Updates Row y -> 5
	Terminates	Terminates
Reads Row y		
Reads Row x		
Updates Row z		

TM specific branch control mechanisms must be used to implement these serialization mechanisms.

## Linking with CT Library

The XA Interface requires that the application be linked with the threaded versions of the Open Client Libraries. See the *Open Client/Server Supplement* for your platform to identify the libraries you must specify. If you do not link the proper thread-safe libraries, you may experience a variety of Open Client failures.

## Sample embedded SQL COBOL fragment

This code fragment sets the current connection, and inserts data into an Adaptive Server database:

```
*REMARKS. TRANSACTION-ID IS 'POPS'.
*THIS TRANSACTION POPULATES A DATABASE'S DATA TABLE
*WITH STOCK DATA ENTRIES.
```

```
ENVIRONMENT DIVISION.
DATA DIVISION.
WORKING-STORAGE SECTION.
COPY DFHBMSCA.
COPY DFHAID.
COPY AIXCSET.
EXEC SQL INCLUDE SQLCA END-EXEC.
77 RESPONSE          PIC 9(8) COMP.
01 MSG-LIST.
02 MSG-1             PIC X(70) VALUE
'Transaction Failed: Unable To Prime Stock'
-'Table.'.
02 MSG-2             PIC X(70) VALUE
'Stock Records Added Successfully.'.
01 TRANSFAIL        PIC X(70).

EXEC SQL BEGIN DECLARE SECTION END-EXEC.
01 STOCK-RECORD.
02 STOCK-NUM        PIC X(5).
02 ITEM-DESC        PIC X(30).
02 STOCK-QTY        PIC X(7).
02 UNIT-PRICE PIC S9(4)V99 VALUE ZEROES.
EXEC SQL END DECLARE SECTION END-EXEC.

PROCEDURE DIVISION.
```

```
* CHECK BASIC REQUEST TYPE
*
IF EIBAID = DFHCLEAR
EXEC CICS SEND CONTROL FREEKB
END-EXEC
EXEC CICS RETURN
END-EXEC
END-IF.

* MAIN PROCESSING
*SET UP STOCK RECORD DETAILS AND THEN WRITE OUT
*STOCK RECORD.
*
MOVE '31421'TO STOCK-NUM.
MOVE 'Widget (No.7)'TO ITEM-DESC.
MOVE '0050035'TO STOCK-QTY.
MOVE 25.55 TO UNIT-PRICE.
PERFORM WRITE-STOCKREC.

MOVE '43567'TO STOCK-NUM.
MOVE 'Splunkett ZR-1'TO ITEM-DESC.
MOVE '0005782'TO STOCK-QTY.
MOVE 143.79 TO UNIT-PRICE.
PERFORM WRITE-STOCKREC.

EXEC CICS SYNCPOINT
RESP(RESPONSE)
END-EXEC.

IF RESPONSE NOT = DFHRESP(NORMAL)
MOVE MSG-1 TO TRANSFAIL
PERFORM FAIL-TRANS
END-IF.

MOVE MSG-2 TO MSGOUTO.
EXEC CICS SEND MAP('MSGLINE')
MAPSET('AIXCSET')
FREEKB
END-EXEC.
EXEC CICS RETURN
END-EXEC.
GOBACK.

* ATTEMPT TO WRITE OUT NEW STOCK RECORD.
```

```
*
WRITE-STOCKREC.
EXEC SQL SET CONNECTION connection_2
END-EXEC

IF SQLCODE NOT = 0
MOVE MSG-1 TO TRANSFAIL
PERFORM FAIL-TRANS
END-IF.

EXEC SQL INSERT INTO STOCK VALUES (:STOCK-RECORD)
END-EXEC

IF SQLCODE NOT = 0
MOVE MSG-1 TO TRANSFAIL
PERFORM FAIL-TRANS
END-IF.

* IF UNABLE TO APPLY CREATE, END TRANSACTION
* AND DISPLAY REASON FOR FAILURE.
*
FAIL-TRANS.
MOVE TRANSFAIL TO MSGOUTO
EXEC CICS SEND MAP('MSGLINE')
MAPSET('AIXCSET')
FREEKB
END-EXEC
EXEC CICS RETURN
END-EXEC.
```

## Sample embedded SQL C fragment

This code fragment sets the current connection, and accesses data stored on Adaptive Server:

```
EXEC SQL INCLUDE sqlca;
int rcode;

EXEC SQL BEGIN DECLARE SECTION;
char name[15];
char supplier[30];
```

```
char supplier_address[30];
int order_quantity;

EXEC SQL END DECLARE SECTION;
main()
{
char errmsg[400];
char qmsg[400];
short mlen;

EXEC SQL WHENEVER SQLERROR GOTO :errexit;
EXEC SQL WHENEVER SQLWARNING GOTO :errexit
EXEC SQL WHENEVER NOT FOUND GOTO :errexit

/* Get addressability for EIB... */

/*
** Write record to CICS temporary storage queue...
*/

/* Send the first map */

EXEC CICS SEND MAP("PANEL1") MAPSET("UXA1")
FREEKB ERASE RESP(rcode);
if (rcode != DFHRESP(NORMAL))
EXEC CICS ABEND ABCODE("X001");

/* Receive the response */

EXEC CICS RECEIVE MAP("PANEL1") MAPSET("UXA1")
RESP(rcode);
if (rcode != DFHRESP(NORMAL))
EXEC CICS ABEND ABCODE("X002");

/* Select a record from the table based on user input. */

sprintf(name, "%s", panel1.panelli.newnamei);
EXEC SQL SET CONNECTION connection_1;
EXEC SQL SELECT name, supplier, supplier_address,order_quantity
INTO
:name, :supplier, :supplier_address, :order_quantity
FROM cheese
WHERE name = :name;

/* Handle "no rows returned" from SELECT */
```

```

if (sqlca.sqlcode == 100)
{
sprintf(panel4.panel4o.messageo, "%s",
NOCHEESE);
EXEC CICS SEND MAP("PANEL4") MAPSET("UXA1") FREEKB ERASE RESP(rcode);
if (rcode != DFHRESP(NORMAL))
EXEC CICS ABEND ABCODE("X009");

EXEC CICS SEND CONTROL FREEKB;
EXEC CICS RETURN;

}
/* Fill in and send the second map */

memset (&panel2.panel2o, '0',
sizeof(panel2.panel2o));
sprintf(panel2.panel2o.nameo, "%s", name);
sprintf(panel2.panel2o.supplo, "%s", supplier);
sprintf(panel2.panel2o.addresso, "%s",
supplier_address);
sprintf(panel2.panel2o.ordero, "%d", order_quantity);

EXEC CICS SEND MAP("PANEL2") MAPSET("UXA1")
FREEKB ERASE RESP(rcode);
if (rcode != DFHRESP(NORMAL))
EXEC CICS ABEND ABCODE("X003");

/* Receive the response */

if (panel2.panel2i.questi == 'y')
{
/* Send the third map... */
/* Receive the response... */
/* Update the database */

order_quantity = atoi(panel3.panel3i.newordi);

EXEC SQL UPDATE cheese
set order_quantity = :order_quantity
where name = :name;

/* Write a record to the temporary queue */

sprintf(qmsg, "%s", "The cheese table was updated");

```

```
milen = strlen(qmsg);

EXEC CICS WRITEQ TS QUEUE("TEMPXAQ1")
FROM(qmsg) LENGTH(milen) RESP(rcode);
if (rcode != DFHRESP(NORMAL))
EXEC CICS ABEND ABCODE("X010");
}
else
{

/*
** The user does not wish to update so free the keyboard and return...
*/
}
/* Commit the update */

EXEC CICS SYNCPOINT RESP(rcode);
if (rcode != DFHRESP(NORMAL))
EXEC CICS ABEND ABCODE("X011");

/*
** Send the fourth map confirming successful update...
*/

EXEC CICS RETURN;
errexit:
fprintf(stderr,"error in cheeseland %d\n",sqlca.sqlcode);

/* Handle general errors */

sprintf(errmsg, "%.60s\n",sqlca.sqlerrm.sqlerrmc);
strncpy(panel4.panel4o.messageo, errmsg, 60);
sprintf(panel4.panel4o.codeo, "%d", sqlca.sqlcode);

/*
** Send the fourth map with appropriate message...
*/

/* Rollback the transaction */

EXEC CICS SYNCPOINT ROLLBACK;
EXEC CICS SEND CONTROL FREEKB;
EXEC CICS RETURN;
}
```



# Index

## Symbols

- ::= (BNF notation)
  - in SQL statements xi
- , (comma)
  - in SQL statements xi
- { } (curly braces)
  - in SQL statements xi
- () (parentheses)
  - in SQL statements xi
- [ ] (square brackets)
  - in SQL statements xi
- \$\$SYBASE/\$\$SYBASE\_OCS/sample 19
- \$\$SYBASE/sample/xa\_library/CICS/switch directory
  - 28, 29, 30
- /usr/lpp/cics/v1.1/bin
  - and CICS COBOL runtime file 40

## A

- aborted transaction 9
- access
  - monadmin create rm 14
- accessing
  - Adaptive Server data 2
- ACID test 5
  - atomicity 5
  - consistency 5
  - durability 6
  - isolation 6
- Adaptive Server
  - accessing data in 2
  - DTM XA environment 13
  - DTM XA interface 8
  - RM 11
  - XA interface 12
- XA configuration file
  - 21, 23
- AP 7

- and symbolic names 14
- DTP 7
- purpose 7
- transaction boundaries 9
- TX interface and 8

API 49

application program

See AP

Application servers

- linking 36

at connection name clause 45

atomicity 5, 9

## B

- Backus Naur Form (BNF) notation xi
- backward compatibility 20
- begin transaction 42
- BNF notation in SQL statements xi
- brackets. *See* square brackets [ ]
- branch
  - transaction 6
- building
  - TM server 39

## C

- calls 15, 34
  - to LRMs 15
  - TX 9
  - XA 9
- case sensitivity
  - in SQL xii
- CICS
  - TM v
- CICS XAD
  - LRMs 14
  - stanzas 14

## Index

- Client-Library 2
    - accessing data with v
    - coding constraints for vi, 2
    - native interface 8
    - pre-connection capabilities 14
  - client-server connection
    - LRM 14
  - coding constraints
    - Client-Library 2
    - Embedded SQL 2
  - comma (,)
    - in SQL statements xi
  - command handles 47
  - commands
    - dbcc 2, 13
    - enconsole 14, 33
    - grant 21
    - initial xa\_open () 20
    - mon\_RegisterRmi 33, 34
    - monadmin create rm 14, 33
    - monadmin create rm strings 15
    - sp\_role 21
    - TM-specific 13
  - commit 43
    - two-phase 9
  - commit phase 9
  - commit transaction 43
  - commit transactions
    - TX Interface and 8
  - commitment protocol
    - TM and 8
  - committed transaction 5
  - communication
    - initiation 8
    - TM and 8
  - conceptual view
    - X/Open DTP model 7
  - configuration
    - files 11, 16, 34
    - of LRMs 25
    - XA configuration file 24
  - configuration file
    - Sybase XA 14
    - XA 13
    - XACONFIG FILE and 22
  - configuration files
    - contents of 14
    - LRM name 15
    - TM-specific 13
    - UBBCONFIG 15
    - XAD 16
  - connection handle 46
    - sample program 47
  - connections 22
    - and stored information 13
    - and X/Open DTP model 42
    - current 44
    - default 44
    - establishing 34
    - establishing and managing 5
    - in traditional SYBASE TP 41
    - stored information 14
    - X/Open DTP model 13
  - consistency 5
  - conventions
    - See also* syntax
    - Transact-SQL syntax xi
    - used in the Reference Manual x
  - CS\_COMMAND structure 47
  - CS\_CONNECTION structure 46
  - cs\_object 47
  - CS-Library commands
    - invalid 44
  - ct\_command 43
  - ct\_cursor 43
  - ct\_dynamic 43
  - curly braces ({} ) in SQL statements xi
  - current connection 44
- ## D
- dbcc
    - XA-specific 2, 13
  - decisions
    - heuristic 10
  - default connection 44
  - Distributed Transaction Processing
    - See* DTP
  - DTM
    - licensing 2
  - DTM XA environment 11

DTM XA interface 8, 12  
 dtm\_tm\_role 21  
 DTP  
   definition of 6  
   environment v  
   key components 6  
   management v  
   RM 7  
   TM 6  
   X/Open Distributed Transaction Processing 1  
   XA model, graphic of 12  
 durability 6  
 dynamic registration 29

## E

editing  
   UBBCONFIG file 37  
   XA configuration file 24  
 Embedded SQL 2  
   accessing data with v  
   and coding constraints vi, 2  
   invalid commands 42, 43  
   native interface 8  
 embedded SQL/C 13  
 embedded SQL/COBOL 13  
 enable dtm 19  
 enabling  
   TM transactions 2  
 Encina  
   monadmin create rm 14  
 enconsole 14, 33  
 environment  
   building runtime 40  
   DTM XA 11  
   multiple thread issues 49  
   XA 5  
 environment variables  
   XACONFIGFILE 22  
 establishing connections 34  
   CICS 15  
   Encina 15  
   TUXEDO 16

## F

failure recovery 8  
   TM and 8  
 files  
   and threads 51  
   configuration 11, 14, 15, 16, 34  
   interfaces 16  
   libcom\_r.so 30  
   libcommn\_dce.sl 31  
   libcs\_r.sl 31  
   libcs\_r.so 30  
   libxadtm.a 34  
   switch-load 28  
   syb\_xa\_log 20  
   sybasexa.c 28  
   sybasexa.mk 29  
   UBBCONFIG 16, 37  
   XA configuration 16, 24  
   xa\_config 16, 25  
 flags  
   trace 24  
 function  
   mon\_RegisterRmi 15  
   xa\_open() 22

## G

global  
   identifiers 8  
   recovery 2  
   transaction 9, 16  
 global identifiers  
   TM and 8  
 global recovery 10  
 global transaction 6  
   commit 9  
 global transactions  
   AP and 7  
   logical connections 16  
   TM and 8  
   TX Interface and 8  
   X/Open DTP model 6  
 global variables  
   and threads 51  
 grant 21

## Index

### H

- handles
  - command 47
- heuristic decision
  - conflicts 11
- heuristic decisions 10
- heuristic transactions
  - managing 13

### I

- identifier
  - global 8
- initial xa\_open () 20
- initialization 34
- initiation
  - communication 8
- integrating TUXEDO 35
- interface
  - DTM XA 12
  - native 7, 8, 13
  - TX 7, 8
  - XA 7, 8
- interfaces file 16
- invalid commands
  - CS-Library 44
  - Transact-SQL 43
- isolation 6

### L

- libcom\_r.so 30
- libcomn\_dce.sl 31
- libcs\_r.sl 31
- libcs\_r.so 30
- library\_names 36
- libxatm.a 34
- licensing
  - DTM 2
- linking application servers 36
- local transaction 6
- log file
  - syb\_xa\_log 20
- log file entries 21

- log file parameters 21
- logfile\_name 20
- logical connections 16
- logical resource manager
  - See LRM
- LRM
  - and symbolic names 14
  - client-server connections 14
  - configuration of 25
  - connections 13
  - initializing 33
  - mon\_RegisterRmi 15
- lrm\_name 20

### M

- makefile
  - sybasexa.mk 29
  - sybasexa.mk.hp800 30
- management of transactions 42
- migration
  - thread 29
- mon\_RegisterRmi 15, 33, 34
- monadmin create rm 14, 15, 33
- monadmin create rm command 34
- mutex and threads 51

### N

- native interface 8
  - Client-Library and 8
  - Client-Library calls 13
  - Embedded SQL and 8
  - illustration of 7

### O

- O-1 20
- O1 20
- onCommit command 45
- Open Client libraries 13
- open string 14, 20, 33, 34
  - strings 14

open strings 15

## P

### parameters

- enable dtm 19
- logfile\_name 20
- lrm\_name 20
- O-1 20
- O1 20
- open string 20
- password 20
- TMNOFLAGS 29
- traceflags 20
- username 20
- v11 20

### parentheses ()

- in SQL statements xi

password 14, 15, 16, 20, 33

### permissions

- monadmin create rm 14

prepare phase 9

- transaction branch 9

### protocol

- transaction commitment 8

- two-phase commit 9

## R

README file 19

recovery 6, 10, 42

- failure 8

- global 2, 10

- XA interface and 8

### registration

- dynamic 29

resource manager

- See RM

RM 7

- Adaptive Server and 7

- X/Open DTP model 6

- XA interface and 8

rm\_name parameter 35

rm\_structure\_name parameter 35

rmname 34

roles

- dtm\_tm\_role 21

rollback 43

rollback transaction 5, 9, 43

- TX Interface and 8

## S

### sample programs

- retrieving connection handles 47

section 21, 23

set connection command 45

### shared resources

- RM and 7

- X/Open DTP model 6

SMIT utility 32

sp\_role 21

square brackets [ ]

- in SQL statements xi

### standard

- XA interface 1

stored information

- connections 14

### strings

- open 14, 15, 33, 34

structures 46

switch structure 29

switch-load files 28

syb\_xa\_log 20

Sybase stanza

- adding 31

SYBASE traditional TP

- versus X/Open DTP model 42

Sybase XA configuration file 14

Sybase XA environment 11

sybasexa.c file 28

sybasexa.mk makefile 29

sybasexa.mk.hp800 makefile 30

### symbolic names

- and APs 14

- and LRM 14

### symbols

- in SQL statements xi

SYNCPOINT command 45

## Index

syntax conventions, Transact-SQL xi

## T

test

ACID 5

thread migration 29

threads 49

TM 6

accessing Adaptive Server data 2

CICS v

purpose 8

TX interface and 8

XA interface and 8

TM server

building 39

TMNOFLAGS 29

TM-specific commands 13

TM-specific configuration files 13

trace flag parameters 21

trace flags 24

traceflags 20

transaction 5

atomicity 5

branch 6, 9

committed 5, 9

consistency 5

durability 6

global 6, 9, 16, 42

isolation 6

limitation on 42

local 6, 42

management v, 42

processing 6, 8, 9

recovery 6

rollback 5, 9

transaction boundaries

AP and 9

TX Interface and 8

transaction identifier 6

transaction operation 20

transaction processing model 11

Transaction Processing Monitor

See TM

transactions

XA interface and 8

Transact-SQL commands

invalid 43

TUXEDO

integrating 35

two-phase commit 9

commit phase 9

prepare phase 9

transaction completion 9

TX

calls 9

interface 7, 8

## U

UBBCONFIG file 15, 16

editing 37

user name 14, 15, 16, 33

username 20

utilities

SMIT 32

## V

-V11 20

## X

X/Open

DTP 1

X/Open DTP

functional model 7

X/Open DTP Model 6

X/Open DTP model

component communication 8

component interaction 8

connections 13

global transactions 6

multiple application programs 6

multiple resource managers 6

shared resources 6

vs SYBASE TP 42

XA

- calls 9
  - DTP model 12
  - interface 7, 8
  - interface standards 1
- XA configuration file 13, 16
  - editing 24
- XA environment
  - components of 11
- XA product definition
  - See CICS XAD
- xa\_config 25
- xa\_config file 16
- xa\_open 22
- XACONFIGFILE 22

